

**WIRELESS CHARGING CAR HOLDER**  
QUICK CHARGE  
10W



User Manual

## Packing Detail

Wireless charging holder	x 1
Car air vent pedestal	x 1
Type-C charging cable (optional)	x 1
Adjustable balance pedestal (optional)	x 1
Car charger (optional)	x 1

## Product Specification

Input	5V/2.0A,9V/2.0A(MAX)
Output	5V/1.0A,9V/1.2A(MAX)
Input port	Type-C
Working temperature	-10°C-55°C
Wireless charging distance	6mm Max
Charging conversion rate	65%-75%

\*Output 7.5W/10W/15W wireless car holder, should compare with QC3.0 fast charging car charger.

## Smart Protection

### Smart IC

Built-in smart chip intelligently detects device type and delivers the optimal current for safe and efficient charging

### Voltage Protection

-When the charger input voltage is lower or exceeds the rated voltage, charging will stop and the red light turns on

### Output Current Protection

-When the output current exceeds the rated current,charging will stop and red light turns on

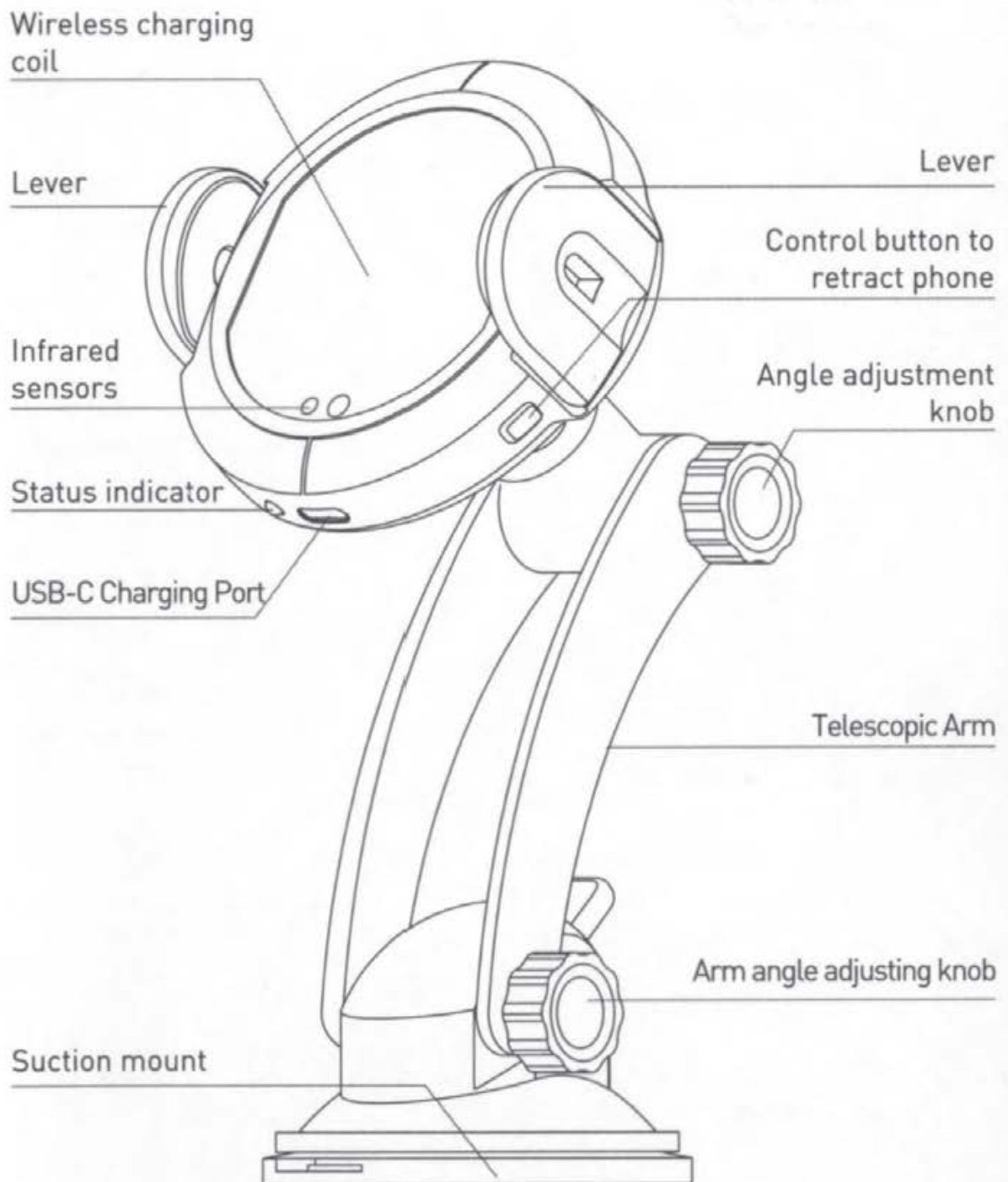
### Output over voltage protection

-When the charger output voltage exceeds the rated voltage,charging will stop and red light turns on

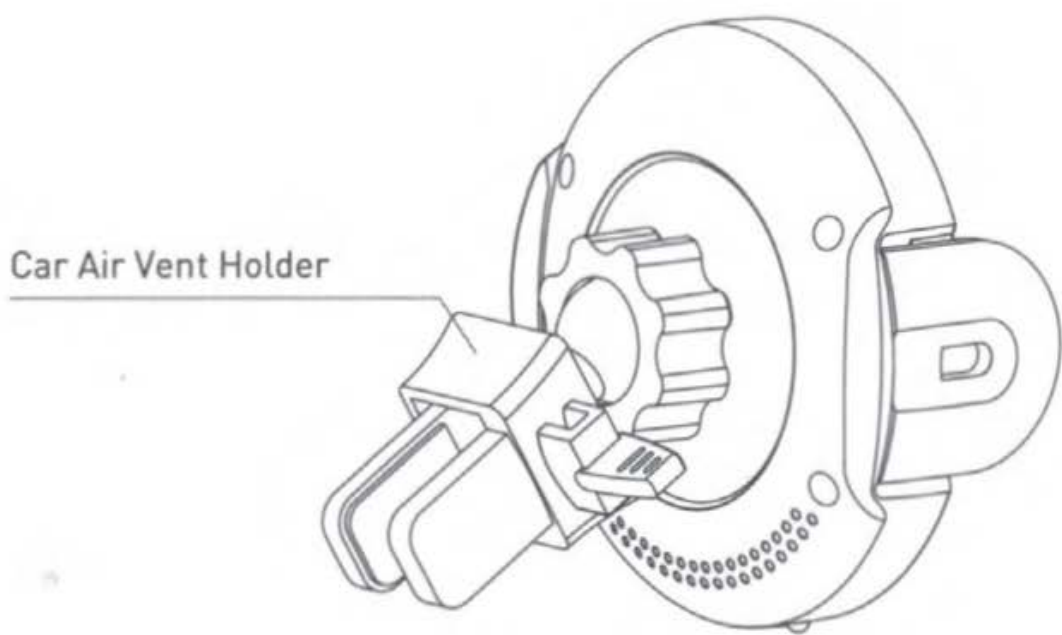
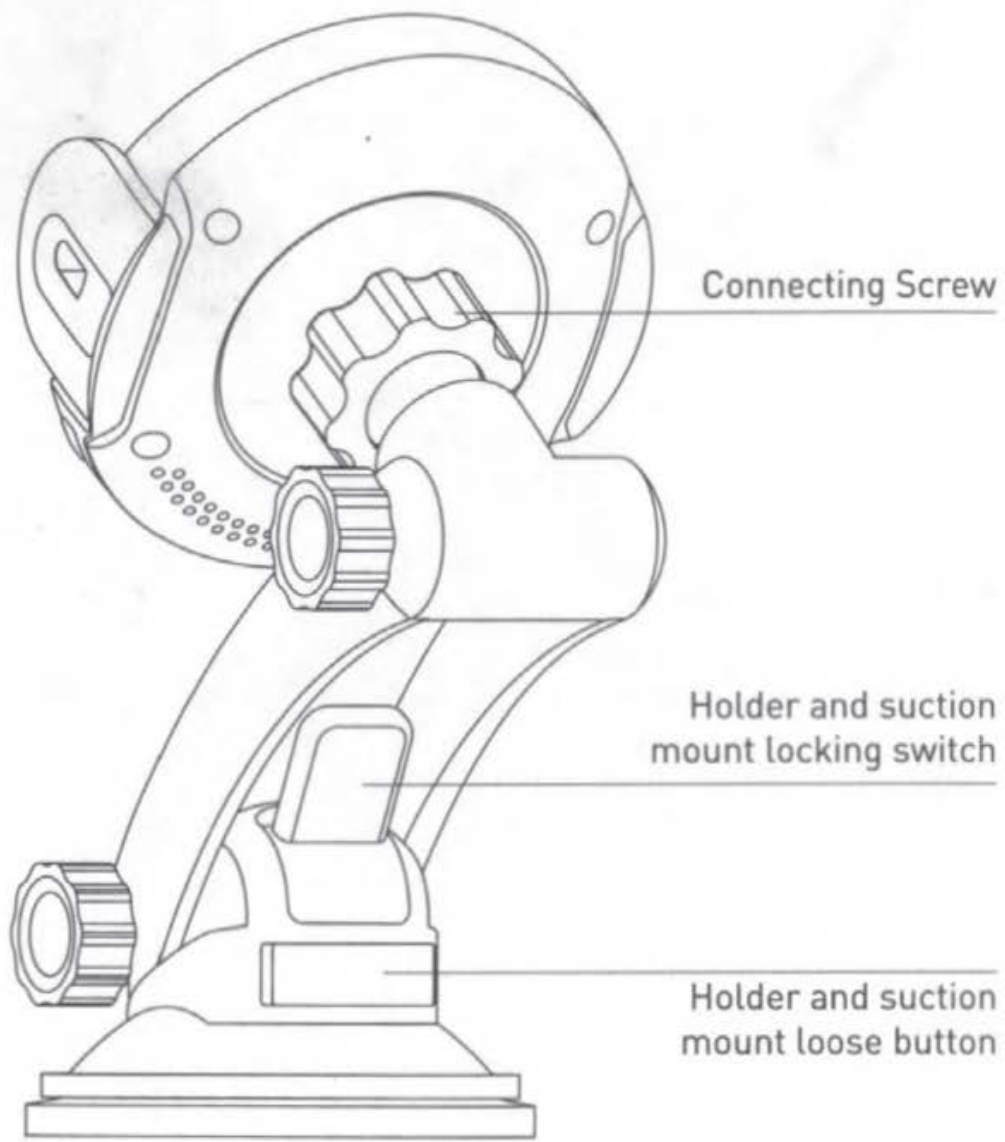
### Foreign Object Detection

-When wireless charger detects a metal foreign object,the red light turns on and the device will stop charging to avoid overheating

## Function Parts



\* Product appearance and parameters may be modified due to functional improvements. Unless otherwise notified, please refer to the actual product.



# Quick Install

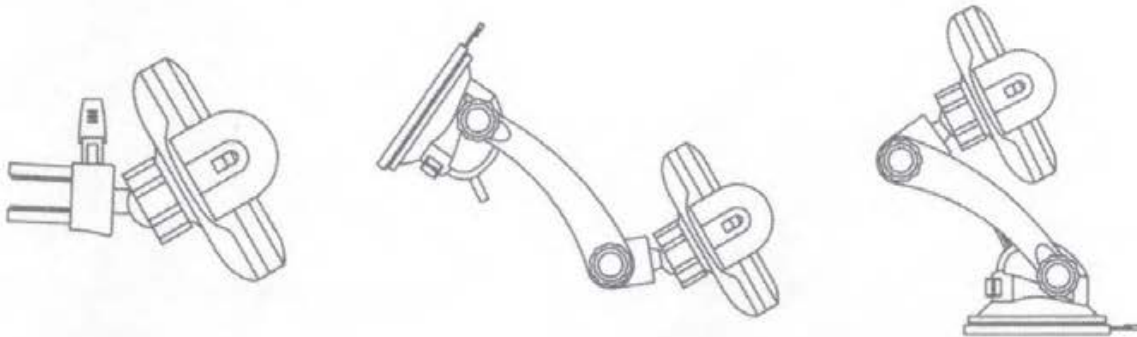
## 1. Assembly of products

Connect the wireless charger to the bracket, and you can choose to install the holder with rotary lifting function as required. The suction disc mounting bracket, also can choose to install the outlet bracket.

## 2. Fixed products

Fix the assembled product and base bracket to the appropriate position.

A variety of installation methods can be obtained by adjusting the spherical fitting and two adjusting knobs.



## 3. Connect power supply

Insert one end of the standard power cord into the input port of the wireless charger. Another end is plugged into a power supply that meets the requirements of this manual.

# Use Product

## 1. Full automatic phone clip.

Place mobile phone: hold the phone near the infrared sensor, the fixed clip will open automatically, and the phone will be pressed. On the surface of the electrical appliance, the clamping device will automatically close and tighten the phone. Take off the phone: grab the phone with your hand, Press the button with your finger, and hold the frame. Automatically open and remove the phone (the whole process can be done by hand).

## 2. Wireless charging.

This product has the wireless charging function, connects the wireless charger to the power supply, and then will support Qi wireless. The mobile phone of the charging protocol is fixed on the wireless charger, and the wireless charging reception area of the mobile phone is right. The charging sensor area of the Qi wireless charger, the mobile phone will start to charge automatically.

## 3. LED status indicator.

Standby Mode	-	Red light ON
Charging / Charging Completed	-	Blue Light ON
Foreign Object Detected	-	Red and Blue Light ON

## Compatible Products

### **SAMSUNG**

Galaxy S6  
Galaxy S6 Edge  
Galaxy S6 Edge+  
Galaxy S7  
Galaxy S7 Edge  
Galaxy S8 / S8+  
Galaxy S9 / S9+  
Galaxy Note5  
Galaxy Note7  
Galaxy Note8

### **APPLE**

iPhone8 / 8Plus  
iPhoneX/iPhoneXS

### **GOOGLE**

Nexus 4  
Nexus 5  
Nexus 6

### **NOKIA**

Lumia 820  
Lumia 830    Lumia 1020  
Lumia 920    Lumia 1050  
Lumia 930    Lumia 1520

### **LG**

G2 G3 G10

### **LENOVO**

Moto Z

\* Support for almost all devices that are not in the list But it supports Qi wireless charging standard equipment.

## Safety Cautions

Please read and follow the following instructions when using this product in the car.

1. When the mobile phone falls due to user error triggering or strong magnetic or electro static interference, etc. The vehicle should be parked in the safety area of the road to pick up the mobile phone. Please do not pick up the mobile phone while driving.
2. Please keep in mind that safe driving is your first duty. Do not operate this product while driving, or do somethings will distract you.
3. Please do not install this product on the car airbag or airbag after expansion can be reached area. Otherwise, when the airbag inflates, the product may be compressed by the airbag to the occupants person causes harm.
4. Please check the firmness of the installation of this product regularly to avoid the loss of control of the vehicle and cause damage to the personnel.

## Operating environment and maintenance

1. Do not use this product near a strong magnetic field.
2. Please do not use unapproved or incompatible power supply or charger, otherwise it may cause product failure, Fire, explosion or other hazards.
3. Please use this product within the range of temperature -10 ~+55, and at temperature -20 ~+70. Enclose the product in the enclosure. When the ambient temperature is too high or too low, it may cause product failure, fire or The explosion.
4. Please keep the equipment dry. Rain, moisture and all kinds of moisture can cause circuit damage.
5. Before cleaning and maintenance, please stop using the product and disconnect the product power.
6. Please do not use detergent, alcohol and other cleaning products, use clean, dry soft cloth to wipe.
7. Do not throw, knock or pull the product components to avoid product failure.
8. Please do not disassemble or modify the products without authorization, otherwise the products and accessories will not be covered by the company's warranty.
9. When the product fails, please contact the after-sales service center.