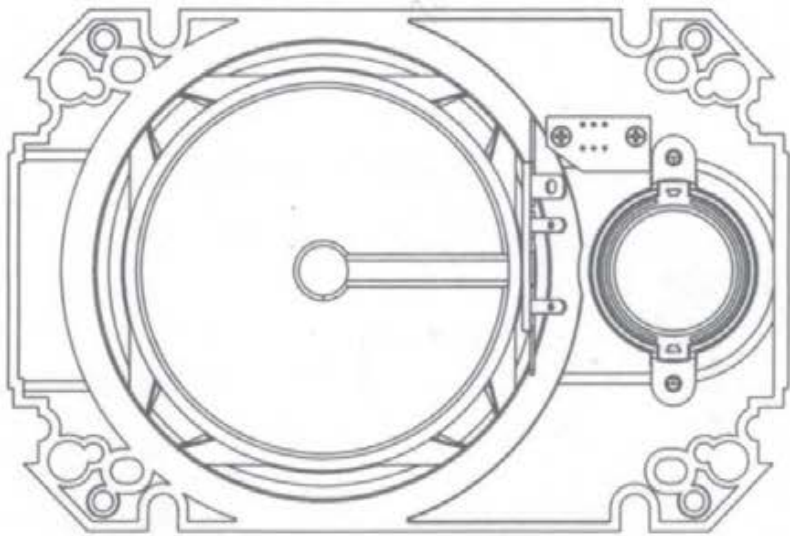


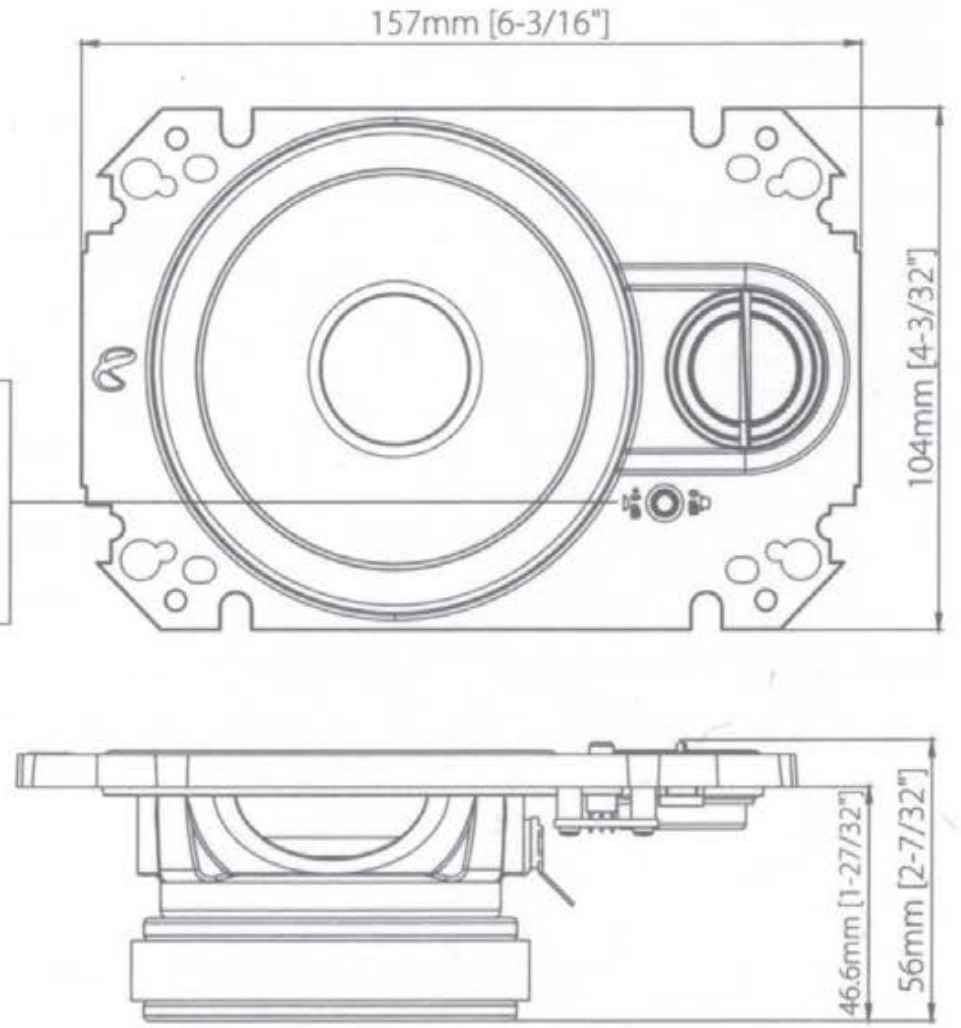


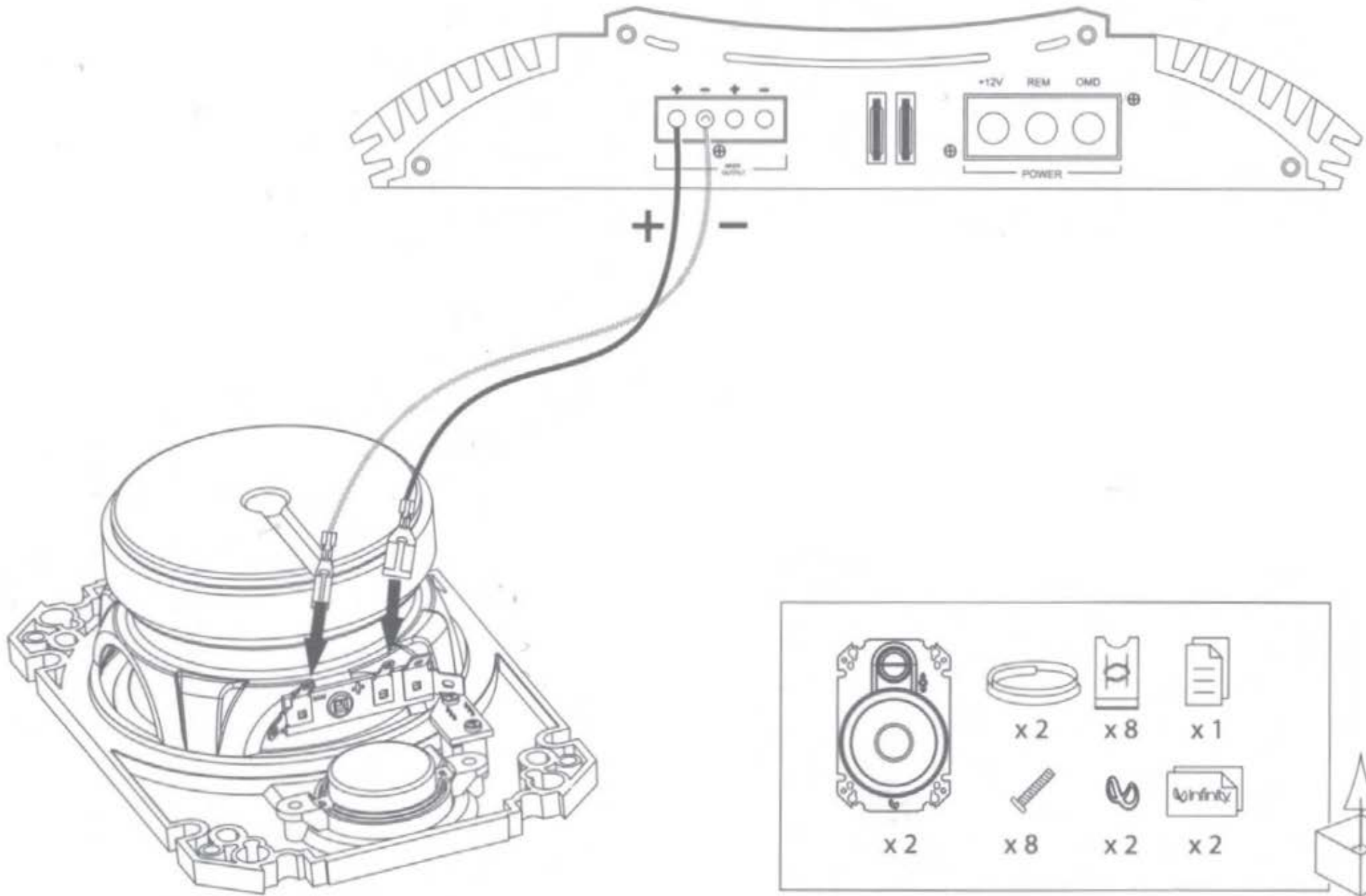
# **INSTALLATION MANUAL**

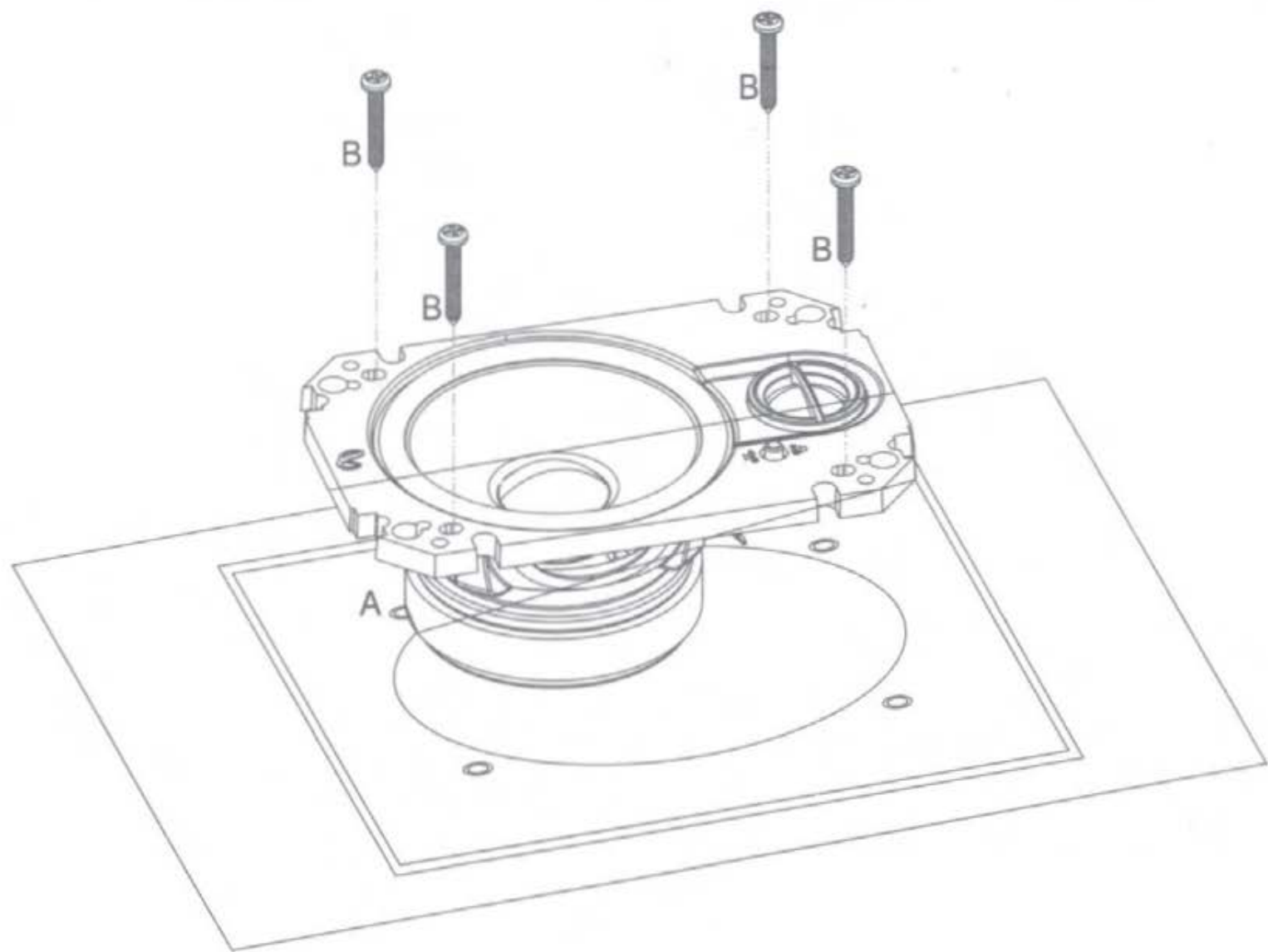
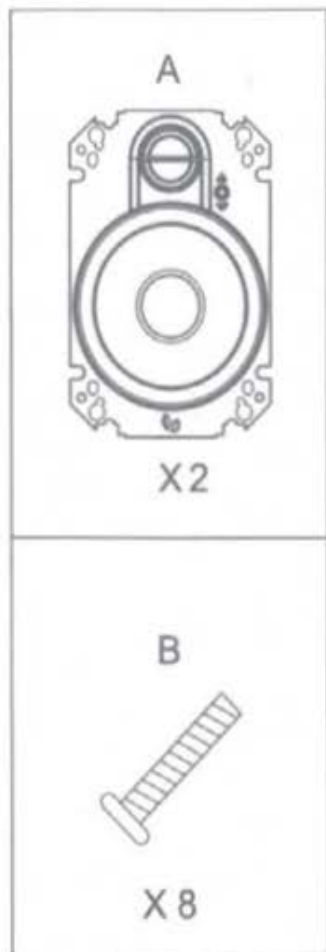
KAPPA 463XF



-3 dB  
0 dB









HARMAN International  
Industries, Incorporated, 8500  
Balboa Boulevard, Northridge,  
CA 91329 USA

© 2020 HARMAN International  
Industries, Incorporated.

All rights reserved. Infintiy is a trademark of HARMAN  
International Industries, Incorporated, registered in the United  
States and/or other countries.

Features, specifications and appearance are subject to change  
without notice.