



Owner's Manual

EN

Manual del propietario

ES

Mode d'emploi

FR

THANK YOU FOR YOUR PURCHASE . . .

Your JBL product has been designed to provide you with the performance and ease of operation you would expect from JBL.

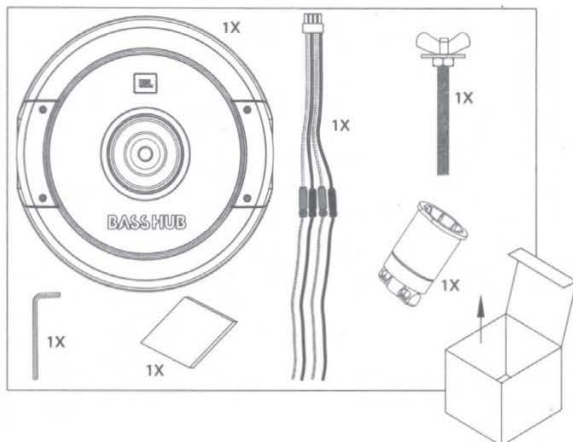
- Please take time to read your owner's manual in its entirety before operating or installing your subwoofer.
- Keep the owner's manual for your amplifier in your glove compartment along with the owner's manual for your car.
- Put your subwoofer sales receipt with other important documents in order to expedite warranty service if needed.

ABOUT THE MANUAL

This manual describes general installation guidelines and operation instructions. However, please note that proper installation of mobile audio and video components requires qualified experience with mechanical and electrical procedures. If you do not have the knowledge and tools to successfully perform this installation, we strongly recommend consulting an authorized JBL dealer about your installation options. Keep all instructions and sales receipts for reference. Consider this manual as an indispensable feature of your subwoofer.

WHAT'S IN THE BOX

- 1x Stadium BassHub
- 1x wiring harness
- 1x vehicle mounting post
- 1x vehicle mounting adapter
- 1x 2.5mm Allen wrench
- 1x Quick-start guide



MOUNTING THE STADIUM BASSHUB

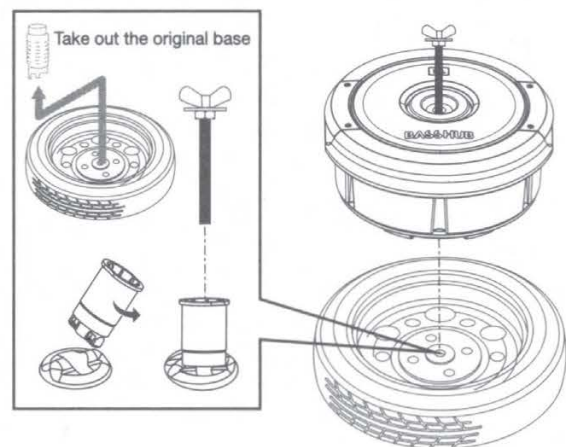
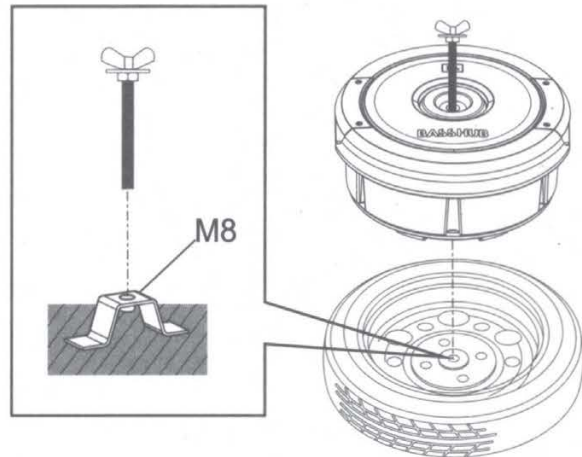
The Stadium BassHub mounts inside the rim of the spare tire in your trunk. To mount the Stadium BassHub properly, follow these steps:

EN

1. Remove the vehicle's spare mounting post.
2. Make sure that the spare tire is placed in the trunk with the outside of the tire facing downwards; the back of the rim should be facing you. This will ensure sufficient mounting depth for the Stadium BassHub.
3. Carefully place the Stadium BassHub inside the rim of the spare tire.
4. Insert the Stadium BassHub mounting post into the slot in the center of the Stadium BassHub. When it reaches the spare tire mounting bracket, begin turning clockwise to thread the post into the bracket and tighten.

NOTE: Some applications require the use of the included adapter to provide a threaded slot for the mounting post. Insert the adapter into the spare tie-down bracket and twist to lock into place. Then repeat steps 3 and 4 above.

NOTE: To keep from damaging the Stadium BassHub or the spare tire rim, do not overtighten the mounting post.

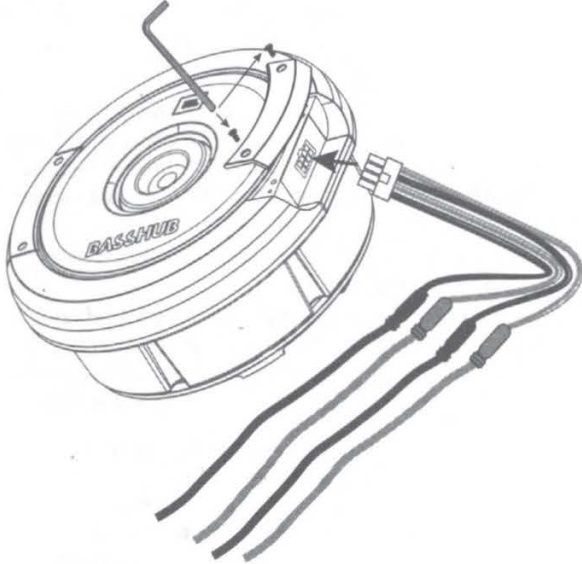


CONNECTING THE WIRING HARNESS

To connect the speaker wiring harness to the input on the right side of the Stadium BassHub:

1. Use the included 2.5mm Allen wrench to remove two screws securing the cover on the top panel of the Stadium BassHub.
2. Lift off the cover.
3. Insert the harness into the input.

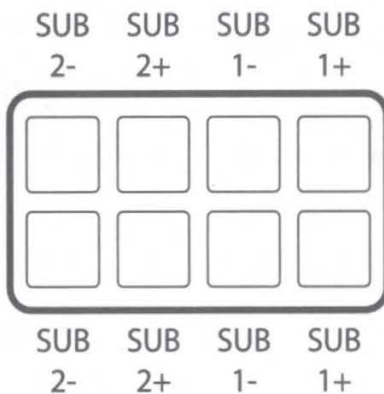
EN



WIRING THE STADIUM BASSHUB TO YOUR AMPLIFIER

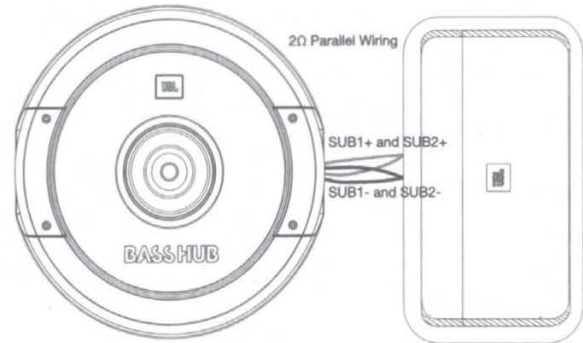
The Stadium BassHub features dual 4-ohm voice coils that can be wired in series for an 8-ohm impedance load or in parallel for a 2-ohm impedance load. Be sure to observe proper wire polarity.

Plug diagram:



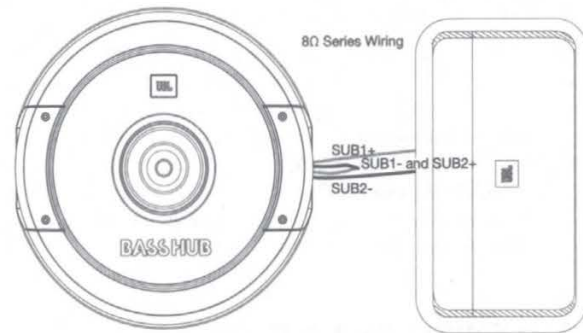
For parallel wiring:

1. Connect the SUB1+ and SUB2+ wires to the + output on the amplifier.
2. Connect the SUB1- and SUB2- wires to the - output on the amplifier.



For series wiring:

1. Connect the SUB1+ wire to the + output on the amplifier.
2. Connect the SUB2- wire to the - output on the amplifier.
3. Splice the SUB1- and SUB2+ wires together.



IMPORTANT: Make sure your amplifier is compatible with your desired impedance load. Connecting a 2-ohm impedance load to an amplifier that is not rated for 2 ohms can cause the amplifier to overheat and malfunction or damage the vehicle.

SPECIFICATIONS

- Power handling: 600W RMS, 1200W peak
- Frequency Response: 20Hz – 150Hz
- Sensitivity (@2.83V/ 1m): 90dB
- Voice Coil diameter, each: 2.5in. (64mm)
- Impedance: Dual 4 ohms
- Dimensions (D x H): 14-3/16" x 6-1/2" (D360mm x H164.5mm)



HARMAN International Industries,
Incorporated 8500 Balboa Boulevard,
Northridge, CA 91329 USA
www.jbl.com

© 2020 HARMAN International Industries, Incorporated. All rights reserved.
JBL is a trademark of HARMAN International Industries, Incorporated,
registered in the United States and/or other countries. Features, specifications
and appearance are subject to change without notice.