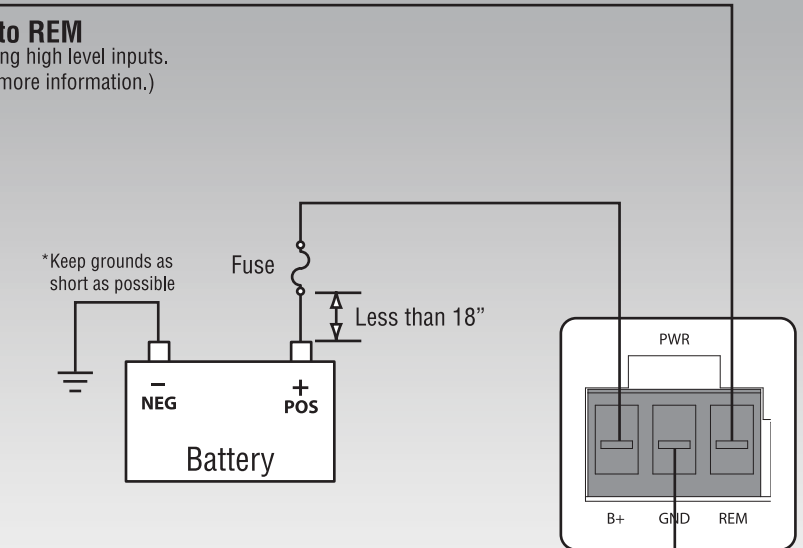
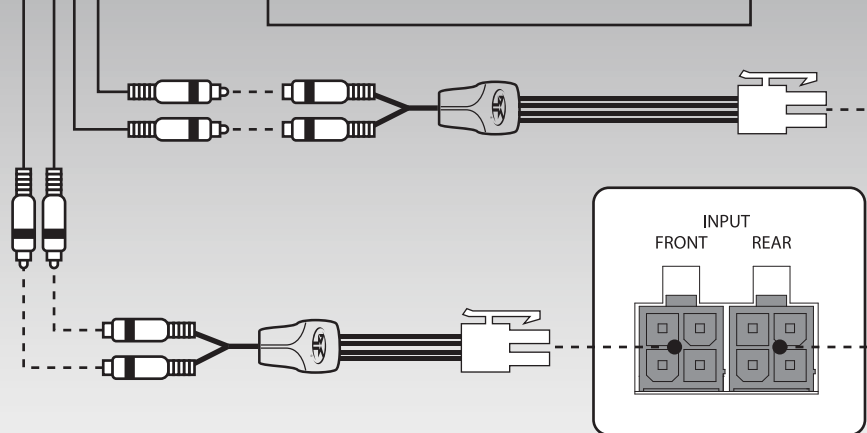


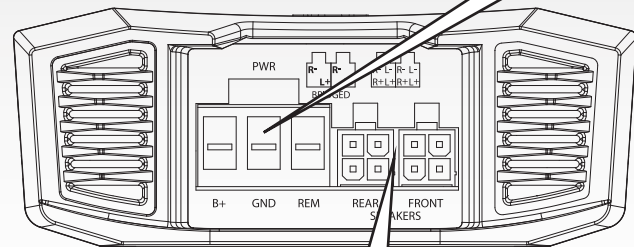
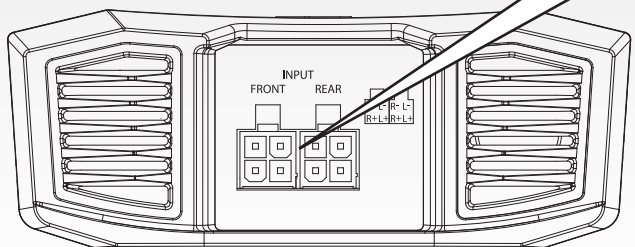
Source Unit



**Switched 12V to REM**  
 (NOT Required if using high level inputs.  
 Refer to manual for more information.)



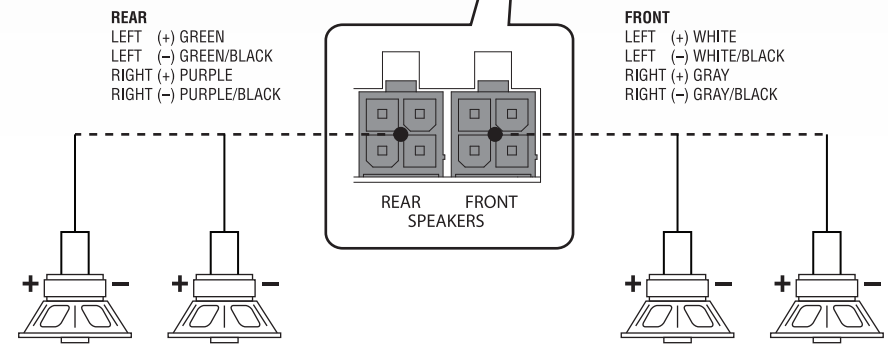
**Connect to chassis ground of vehicle**  
 \*Keep grounds as short as possible.  
 For Motorsport and Boat applications,  
 the ground wire should go directly  
 to the negative battery terminal.



Optional Accessory  
 PLC2 (T400X2ad/T500X1bd)

**CAUTION**  
 Be sure to connect speakers and  
 Punch Level Control - PLC  
 (if equipped) after amplifier  
 output clip adjustment.  
 (see reverse)

\* Specifications subject to change without notice. Images depict typical setup.  
 Refer to manual for additional wiring options.



**WIRE HARNESS COLOR CODE**

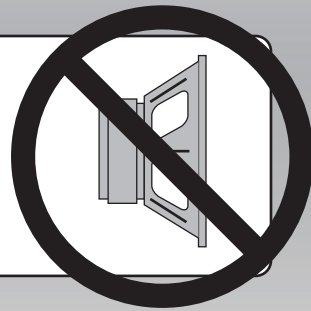
### Step 1 - Input

#### Input Clip Indicator Setup

Be sure to disconnect all speakers from the amplifier.

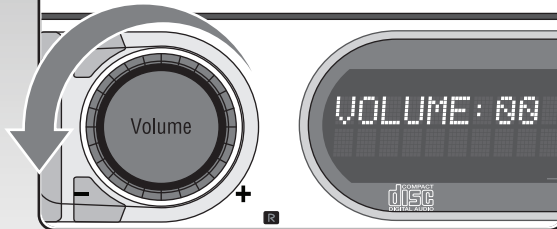
#### CAUTION

Failure to comply may cause damage to connected components and/or amplifier.



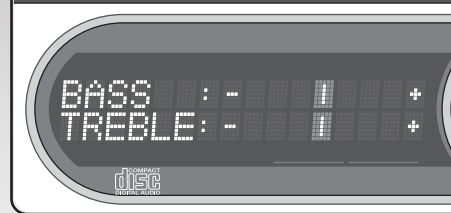
### Step 2 - Input

Turn on the source unit with volume set to zero.



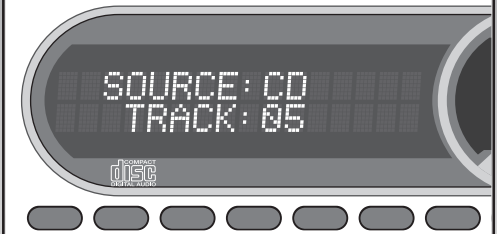
### Step 3 - Input

Adjust the Bass & Treble levels on the source unit to flat.



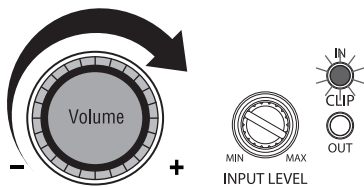
### Step 4 - Input

Insert test tone or music CD to play for setup.



Note: Use the 40Hz @ 0dB tone (Track 5) for mono amplifier applications or the 1kHz @ 0dB tone (Track 7) for multi-channel amplifier applications. Be sure your x-over is switched to the appropriate filter setting.

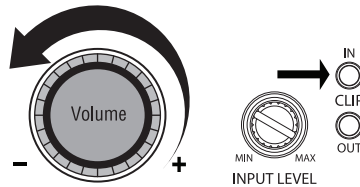
### Step 5 - Input



Increase the source unit volume until the Input Clip Indicator illuminates red.

Note: Input Clip can be viewed remotely with optional PLC2.

### Step 6 - Input



Decrease the source unit volume slightly until the light turns completely off. This establishes your maximum source unit volume for adjusting the Output Clip Indicator.

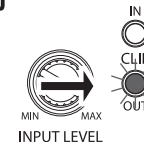
Note: Some source units will not clip.

### Step 7 - Output

Be sure to disconnect Punch Level Control - PLC (if equipped) from the amplifier.

### Step 8 - Output

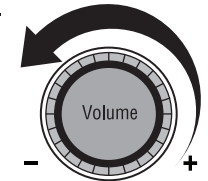
#### Output Clip Indicator Setup



Adjust the Input Level knob until the Output Clip Indicator illuminates to the appropriate color. Repeat for all channel levels of input.

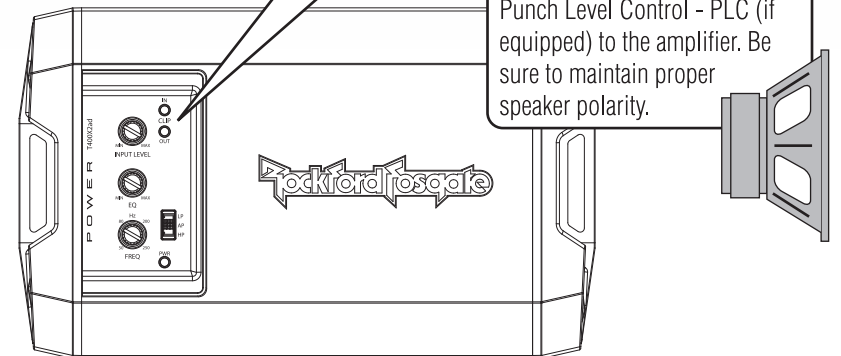
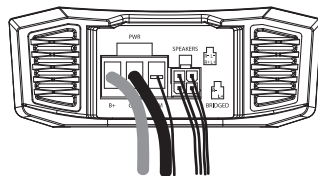
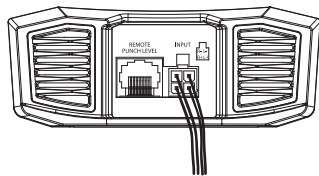
### Step 9 - Output

Turn the source unit volume down.



### Step 10 - Output

Reconnect all speakers and Punch Level Control - PLC (if equipped) to the amplifier. Be sure to maintain proper speaker polarity.



Installation assistance available at:

# RFTECH

[www.rockfordfosgate.com/rftech](http://www.rockfordfosgate.com/rftech)

# P R I M E

## RO R1

## SPEAKERS

RM0652 • RM0652B

RM1652 • RM1652B

Printed in China

1.230-58876-01

121514



Serial Number: \_\_\_\_\_

Date of Purchase: \_\_\_\_\_

600 South Rockford Drive • Tempe, Arizona 85281 United States  
Direct: (480) 967-3565 • Toll Free: (800) 669-9899

**ROCKFORDFOSGATE.COM**



Installation & Operation

Dear Customer,

Congratulations on your purchase of the world's finest brand of audio products. At Rockford Fosgate we are fanatics about musical reproduction at its best, and we are pleased you chose our product. Through years of engineering expertise, hand craftsmanship and critical testing procedures, we have created a wide range of products that reproduce music with all the clarity and richness you deserve.

For maximum performance we recommend you have your new Rockford Fosgate product installed by an Authorized Rockford Fosgate Dealer, as we provide specialized training through Rockford Technical Training Institute (RTTI). Please read your warranty and retain your receipt and original carton for possible future use.

Great product and competent installations are only a piece of the puzzle when it comes to your system. Make sure that your installer is using 100% authentic installation accessories from Rockford Fosgate in your installation. Rockford Fosgate has everything from RCA cables and speaker wire to power wire and battery connectors. Insist on it! After all, your new system deserves nothing but the best.

To add the finishing touch to your new Rockford Fosgate image, order your Rockford accessories, which include everything from T-shirts to hats.

Visit our web site for the latest information on all Rockford products;

[www.rockfordfosgate.com](http://www.rockfordfosgate.com)

or, in the U.S. call 1-800-669-9899 or FAX 1-800-398-3985. For all other countries, call +001-480-967-3565 or FAX +001-480-966-3983.

## Table of Content

- 2 Introduction
- 3-4 Specifications
- 5 Installation
  - Installation Considerations
  - Mounting
- 6-7 Additional Languages
  - French
  - Spanish
  - German
  - Italian
- 8 Limited Warranty Information

If, after reading your manual, you still have questions regarding this product, we recommend that you see your Rockford Fosgate dealer. If you need further assistance, you can call us direct at **1-800-669-9899**. Be sure to have your serial number, model number and date of purchase available when you call.

### PRACTICE SAFE SOUND

Continuous exposure to sound pressure levels over 100dB may cause permanent hearing loss. High powered auto sound systems may produce sound pressure levels well over 130dB. Use common sense and practice safe sound.

### PRATIQUEZ UNE ÉCOUTE SANS RISQUES

Une exposition continue à des niveaux de pression acoustique supérieurs à 100 dB peut causer une perte d'acuité auditive permanente. Les systèmes audio de forte puissance pour auto peuvent produire des niveaux de pression acoustique bien au-delà de 130 dB. Faites preuve de bon sens et pratiquez une écoute sans risques.

### PRACTIQUE EL SONIDO SEGURO

El contacto continuo con niveles de presión de sonido superiores a 100 dB puede causar la pérdida permanente de la audición. Los sistemas de sonido de alta potencia para automóviles pueden producir niveles de presión de sonido superiores a los 130 dB. Aplique el sentido común y practique el sonido seguro.


### PRAKTIZIEREN SIE SICHEREN SOUND


Fortgesetzte Geräuschdruckpegel von über 100 dB können beim Menschen zu permanentem Hörverlust führen. Leistungsstarke Autosoundsysteme können Geräuschdruckpegel erzeugen, die weit über 130 dB liegen. Bitte wenden Sie gesunden Menschenverstand an und praktizieren Sie sicheren Sound.

### OSSERVATE LE REGOLE DEL SUONO SENZA PERICOLI

La costante esposizione a livelli di pressione acustica al di sopra dei 100dB possono causare la perdita permanente dell'udito. I sistemi audio ad alta potenza possono produrre livelli di pressione acustica ben superiori ai 130dB. Si consiglia il buon senso e l'osservanza delle regole del suono senza pericoli.

## Safety

This symbol with "WARNING" is intended to alert the user to the presence of important instructions. Failure to heed the instructions will result in severe injury or death.  **WARNING**

This symbol with "CAUTION" is intended to alert the user to the presence of important instructions. Failure to heed the instructions can result in injury or unit damage.  **CAUTION**

- To prevent injury and damage to the unit, please read and follow the instructions in this manual. We want you to enjoy this system, not get a headache.
- If you feel unsure about installing this system yourself, have it installed by a qualified Rockford Fosgate technician.
- Before installation, disconnect the battery negative (-) terminal to prevent damage to the unit, fire and/or possible injury.

Model	RM0652	RM0652B	RM1652	RM1652B
Nominal Diameter - inch (mm)	6.5 (165)	6.5 (165)	6.5 (165)	6.5 (165)
Description	2-Way	2-Way	2-Way	2-Way
Nominal Impedance (Ohms)	4Ω	4Ω	4Ω	4Ω
Frequency Response (Hz)	52-20k	52-20k	49-20k	49-20k
Voice Coil Diameter - inch (mm)	1.0 (25.4)	1.0 (25.4)	1.0 (25.4)	1.0 (25.4)
Power Handling - Watts (RMS/Peak)	50/100	50/100	75/150	75/150
Fs - Free Air Resonance (Hz)	70.0	70.0	64.5	64.5
Qts	1.08	1.08	0.93	0.93
Vas - cu. ft. (Liter)	0.38 (10.9)	0.38 (10.9)	0.39 (11.1)	0.39 (11.1)
Sensitivity (1W/1M)	88dB	88dB	89dB	89dB
Sensitivity (2.83V/1M)	91dB	91dB	92dB	92dB
Xmax - inch (mm)	0.16 (4)	0.16 (4)	0.2 (5)	0.2 (5)
Mounting Diameter - inch (mm)	5.4 (138)	5.4 (138)	5.4 (138)	5.4 (138)
Mounting Depth	2.5 (63)	2.5 (63)	2.5 (63)	2.5 (63)
Grille/Trim Ring	YES	YES	YES	YES

See page 4 for additional dimensions



CEA 2031

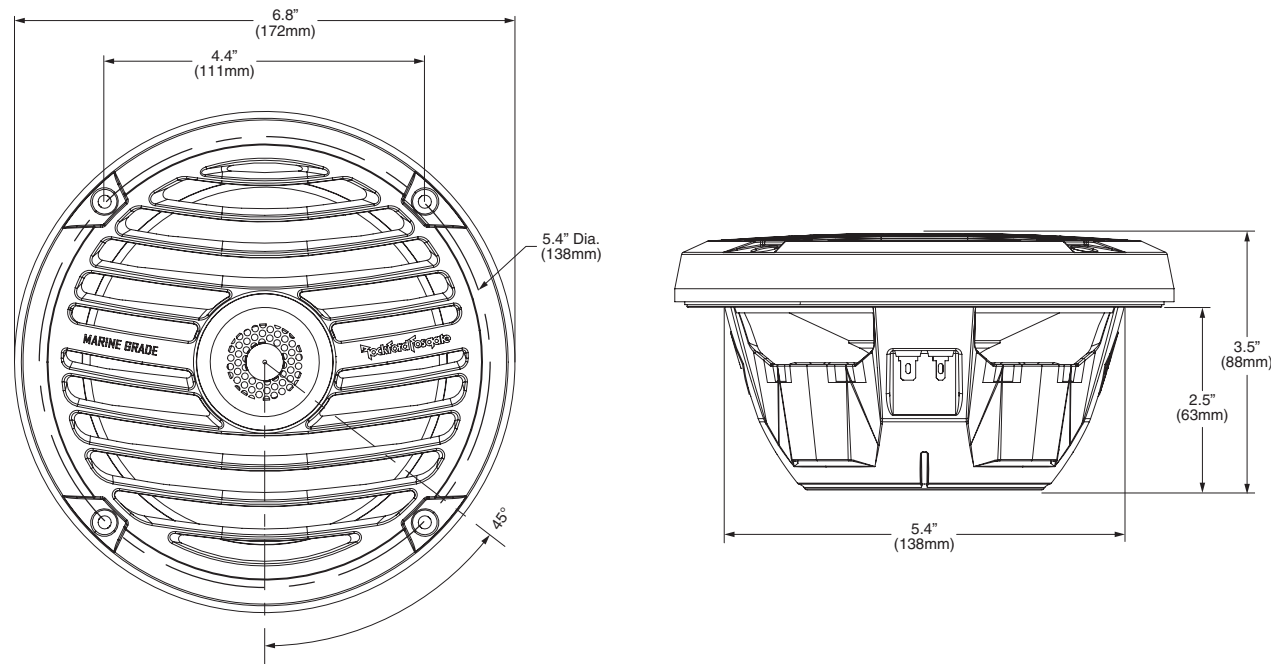
Power handling on Rockford Fosgate speakers conform to CEA-2031 industry standards. This means your speaker has the capacity to handle power under continuous demand, not instantaneous power handling that over time can damage voice coils.



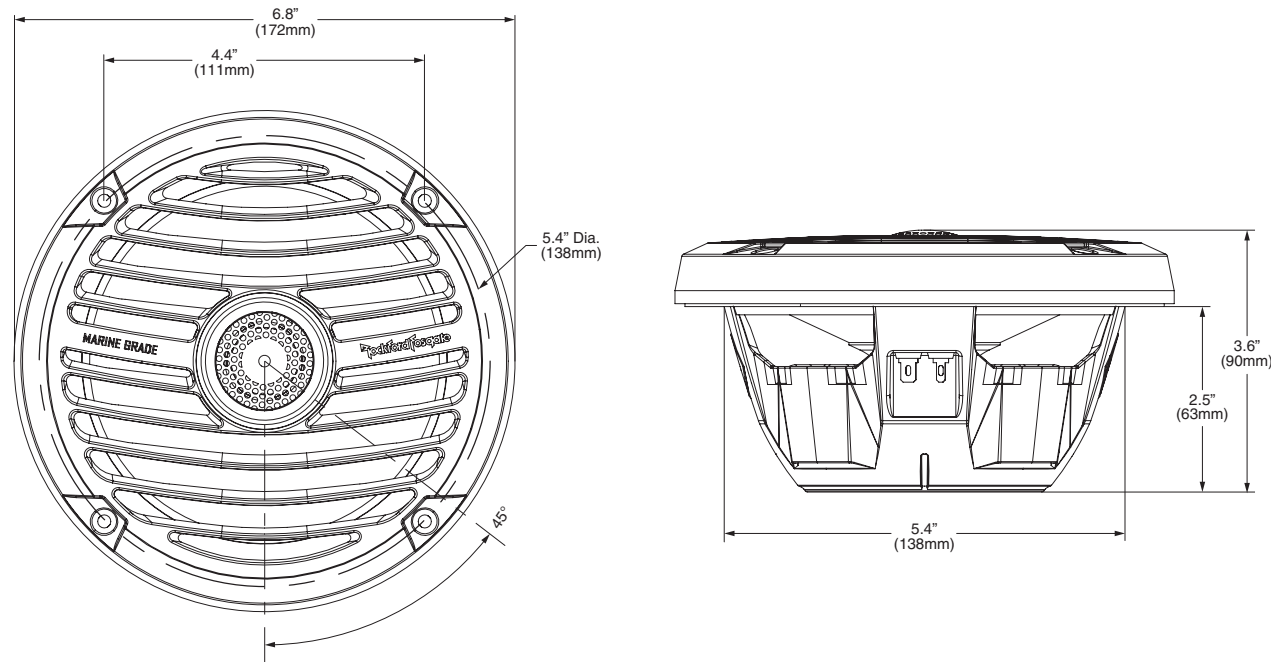
VERIFIED WITH KLIPPEL

To adorn the 'Verified with Klippel' mark, the qualifying company's loudspeaker engineering personnel must be trained and certified by Klippel prior to using the three separate Klippel systems to design, develop and test. Rockford Fosgate has made the investment in Klippel to deliver the best possible speakers and subwoofers to their customers.

RM0652/RM0652B



RM1652/RM1652B



Contents

- (1) Pair Marine Grade Speakers
- (8) Socket head stainless screws
- (1) Socket head driver bit

Installation Considerations

Before beginning any installation, follow these simple rules:

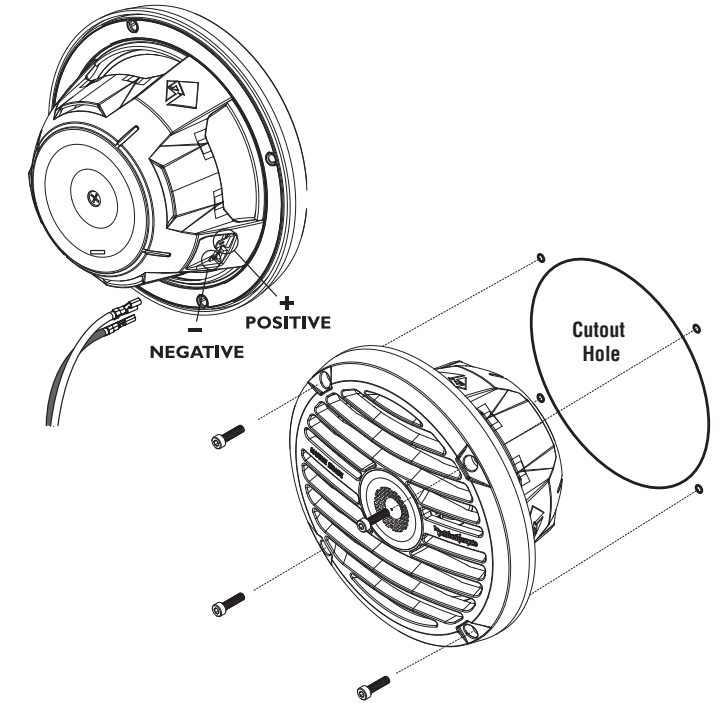
1. Be sure to carefully read and understand the instructions before attempting to install these speakers.
2. For safety, disconnect the negative lead from the battery prior to beginning the installation.
3. For easier assembly, we suggest you run all wires prior to mounting your speakers in place.
4. Use high quality connectors for a reliable installation and to minimize signal or power loss.
5. Think before you drill! Be careful not to cut or drill into gas tanks, fuel lines, brake or hydraulic lines, vacuum lines or electrical wiring when working on any vehicle. If installation in a boat, take care not to cut or drill through the main hull.
6. Never run wires underneath the vehicle. Running the wires inside the vehicle or hull area provides the best protection.
7. Avoid running wires over or through sharp edges. Use rubber or plastic grommets to protect any wires routed through metal, especially the firewall.

Mounting

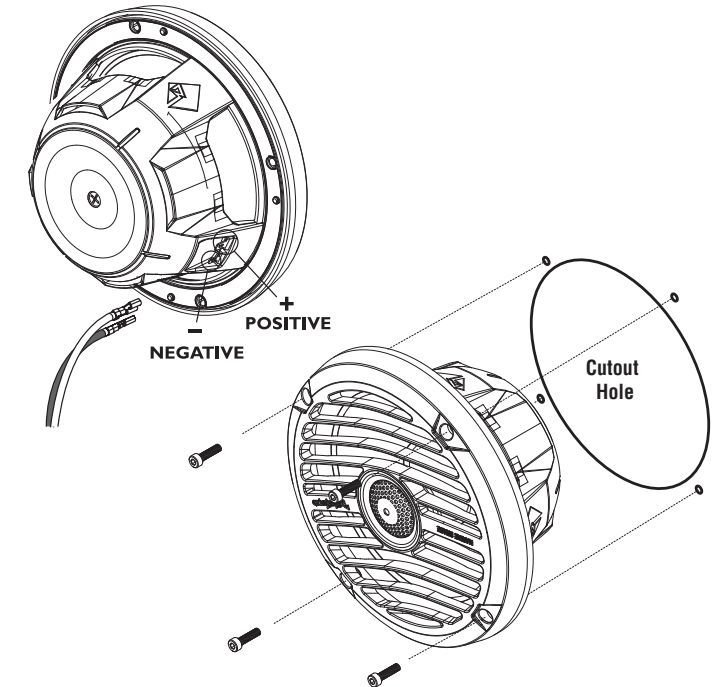
1. Determine where the speakers will be mounted. Ensure an area large enough for the speaker to mount evenly. Be sure that the mounting location is deep enough for the speaker to fit; if mounting in a door, operate all functions (windows, locks, etc.) through their entire operating range to ensure there is no obstruction.
2. Refer to the specification chart to determine the proper diameter hole to cut for your speaker model. Cutting and mounting templates can be found at [www.rockfordfosgate.com](http://www.rockfordfosgate.com).
3. Mark the locations for the mounting screws. Drill the holes with a 1/8" bit.
4. Feed the speaker wires through the cutout and connect to the speaker terminals. Be sure to observe proper polarity when connecting the wires. The speaker's positive terminal is indicated with a "+".
5. Fit the trim ring over the speaker and mount into place using four (4) screws.
6. Tighten the screws until the speaker is snug in place to prevent rattling. Do not over tighten the screws.

Example of standard installation

RM0652/RM0652B



RM1652/RM1652B



---

**Rockford Corporation offers a limited warranty on Rockford Fosgate products on the following terms:**

## **Length of Warranty**

- POWER Amplifiers – 2 Years
- BMW® Direct Fit Speakers – 2 Years
- All other products – 1 Year
- Any Factory Refurbished Product – 90 days (receipt required)

## **What is Covered**

This warranty applies only to Rockford Fosgate products sold to consumers by Authorized Rockford Fosgate Dealers in the United States of America or its possessions. Product purchased by consumers from an Authorized Rockford Fosgate Dealer in another country are covered only by that country's Distributor and not by Rockford Corporation.

## **Who is Covered**

This warranty covers only the original purchaser of Rockford product purchased from an Authorized Rockford Fosgate Dealer in the United States. In order to receive service, the purchaser must provide Rockford with a copy of the receipt stating the customer name, dealer name, product purchased and date of purchase.

Products found to be defective during the warranty period will be repaired or replaced (with a product deemed to be equivalent) at Rockford's discretion.

## **What is Not Covered**

1. Damage caused by accident, abuse, improper operations, water, theft, shipping.
2. Any cost or expense related to the removal or reinstallation of product.
3. Service performed by anyone other than Rockford or an Authorized Rockford Fosgate Service Center.
4. Any product which has had the serial number defaced, altered, or removed.
5. Subsequent damage to other components.
6. Any product purchased outside the U.S.
7. Any product not purchased from an Authorized Rockford Fosgate Dealer.

## **Limit on Implied Warranties**

Any implied warranties including warranties of fitness for use and merchantability are limited in duration to the period of the express warranty set forth above. Some states do not allow limitations on the length of an implied warranty, so this limitation may not apply. No person is authorized to assume for Rockford Fosgate any other liability in connection with the sale of the product.

## **How to Obtain Service**

Contact the Authorized Rockford Fosgate Dealer you purchased this product from. If you need further assistance, call 1-800-669-9899 for Rockford Customer Service. You must obtain an RA# (Return Authorization number) to return any product to Rockford Fosgate. You are responsible for shipment of product to Rockford.

## **EU Warranty**

This product meets the current EU warranty requirements, see your Authorized dealer for details.

Installation assistance available at:

# RFTECH

[www.rockfordfosgate.com/rftech](http://www.rockfordfosgate.com/rftech)

# P R I M E

## R1

## SUBWOOFERS

RM18D2 • RM18D2B • RM18D4  
RM18D4B • RM110D2 • RM110D2B  
RM110D4 • RM110D4B • RM112D2  
RM112D2B • RM112D4 • RM112D4B



Serial Number: \_\_\_\_\_ Date of Purchase: \_\_\_\_\_

600 South Rockford Drive • Tempe, Arizona 85281 United States  
Direct: (480) 967-3565 • Toll Free: (800) 669-9899

**ROCKFORDFOSGATE.COM**



Installation & Operation

Dear Customer,

Congratulations on your purchase of the world's finest brand of car audio products. At Rockford Fosgate we are fanatics about musical reproduction at its best, and we are pleased you chose our product. Through years of engineering expertise, hand craftsmanship and critical testing procedures, we have created a wide range of products that reproduce music with all the clarity and richness you deserve.

For maximum performance we recommend you have your new Rockford Fosgate product installed by an Authorized Rockford Fosgate Dealer, as we provide specialized training through Rockford Technical Training Institute (RTTI). Please read your warranty and retain your receipt and original carton for possible future use.

Great product and competent installations are only a piece of the puzzle when it comes to your system. Make sure that your installer is using 100% authentic installation accessories from Rockford Fosgate in your installation. Rockford Fosgate has everything from RCA cables and speaker wire to power wire and battery connectors. Insist on it! After all, your new system deserves nothing but the best.

To add the finishing touch to your new Rockford Fosgate image, order your Rockford accessories, which include everything from T-shirts to hats.

Visit our web site for the latest information on all Rockford products;

[www.rockfordfosgate.com](http://www.rockfordfosgate.com)

or, in the U.S. call 1-800-669-9899 or FAX 1-800-398-3985. For all other countries, call +001-480-967-3565 or FAX +001-480-966-3983.

Table of Content

- 2 Introduction
- 3 Specifications
- 4-5 Enclosures
  - Sealed or Vented
  - Wiring
- 6-7 Additional Languages
  - French
  - Spanish
  - German
  - Italian
- 8 Limited Warranty Information

If, after reading your manual, you still have questions regarding this product, we recommend that you see your Rockford Fosgate dealer. If you need further assistance, you can call us direct at **1-800-669-9899**. Be sure to have your serial number, model number and date of purchase available when you call.

**PRACTICE SAFE SOUND**

Continuous exposure to sound pressure levels over 100dB may cause permanent hearing loss. High powered auto sound systems may produce sound pressure levels well over 130dB. Use common sense and practice safe sound.

**PRATIQUEZ UNE ÉCOUTE SANS RISQUES**

Une exposition continue à des niveaux de pression acoustique supérieurs à 100 dB peut causer une perte d'acuité auditive permanente. Les systèmes audio de forte puissance pour auto peuvent produire des niveaux de pression acoustique bien au-delà de 130 dB. Faites preuve de bon sens et pratiquez une écoute sans risques

**PRACTIQUE EL SONIDO SEGURO**

El contacto continuo con niveles de presión de sonido superiores a 100 dB puede causar la pérdida permanente de la audición. Los sistemas de sonido de alta potencia para automóviles pueden producir niveles de presión de sonido superiores a los 130 dB. Aplique el sentido común y practique el sonido seguro.


**PRAKTIZIEREN SIE SICHEREN SOUND**


Fortgesetzte Geräuschdruckpegel von über 100 dB können beim Menschen zu permanentem Hörverlust führen. Leistungsstarke Autosoundsysteme können Geräuschdruckpegel erzeugen, die weit über 130 dB liegen. Bitte wenden Sie gesunden Menschenverstand an und praktizieren Sie sicheren Sound.

**OSSERVATE LE REGOLE DEL SUONO SENZA PERICOLI**

La costante esposizione a livelli di pressione acustica al di sopra dei 100dB possono causare la perdita permanente dell'udito. I sistemi audio ad alta potenza possono produrre livelli di pressione acustica ben superiori ai 130dB. Si consiglia il buon senso e l'osservanza delle regole del suono senza pericoli

Safety


This symbol with "WARNING" is intended to alert the user to the presence of important instructions. Failure to heed the instructions will result in severe injury or death.  **WARNING**

This symbol with "CAUTION" is intended to alert the user to the presence of important instructions. Failure to heed the instructions can result in injury or unit damage.  **CAUTION**

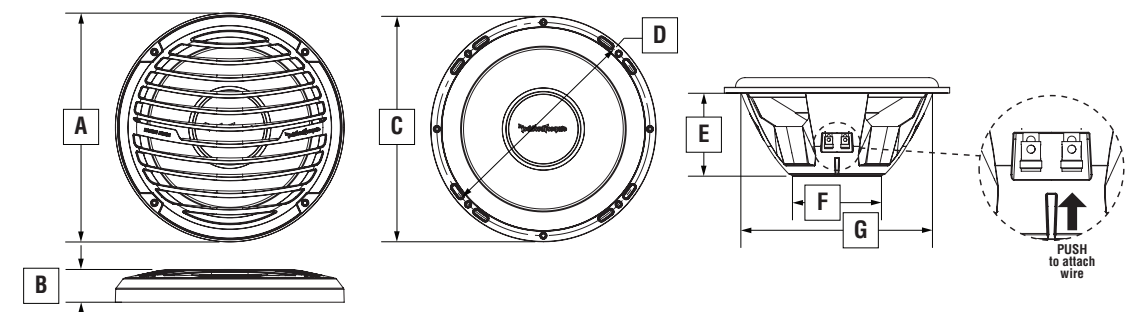
- To prevent injury and damage to the unit, please read and follow the instructions in this manual. We want you to enjoy this system, not get a headache.
- If you feel unsure about installing this system yourself, have it installed by a qualified Rockford Fosgate technician.
- Before installation, disconnect the battery negative (-) terminal to prevent damage to the unit, fire and/or possible injury.

Model	RM18D2 / RM18D2B	RM18D4 / RM18D4B	RM110D2 / RM110D2B	RM110D4 / RM110D4B	RM112D2 / RM112D2B	RM112D4 / RM112D4B
Nominal Impedance (Ohms)	2 Ω DVC	4 Ω DVC	2 Ω DVC	4 Ω DVC	2 Ω DVC	4 Ω DVC
Frequency Response (Hz)	30-250	31-250	25-250	26-250	21-250	22-250
Voice Coil Diameter - inch (mm)	1.5 (4-Layer) (38.6)	1.5 (4-Layer) (38.6)	2 (4-Layer) (50.8)	2 (4-Layer) (50.8)	2 (4-Layer) (50.8)	2 (4-Layer) (50.8)
Displacement - cu. ft. (Liter)	0.05 (1.41)	0.05 (1.41)	0.1 (2.83)	0.1 (2.83)	0.12 (3.4)	0.12 (3.4)
Fs - Free Air Resonance (Hz)	40.0	41.5	33.5	35	28.5	29
Qts	0.76	0.81	0.47	0.51	0.59	0.64
Vas - cu. ft. (Liter)	0.63 (17.9)	0.67 (19.0)	1.77 (50.2)	1.78 (50.38)	3.8 (107.75)	3.83 (108.62)
Xmax - inch (mm)	0.28 (7)	0.28 (7)	0.28 (7)	0.28 (7)	0.28 (7)	0.28 (7)
SPL (dB @ 1w/1m)	85	85	88	88	88	88
Power Handling - Watts (RMS/Peak)	150/300	150/300	200/400	200/400	200/400	200/400

\* All measurements taken with voice coils wired in series

 CEA 2031  
Power handling on Rockford Fosgate speakers conform to CEA-2031 industry standards. This means your speaker has the capacity to handle power under continuous demand, not instantaneous power handling that over time can damage voice coils.

 VERIFIED WITH KLIPPEL  
To adorn the 'Verified with Klippel' mark, the qualifying company's loudspeaker engineering personnel must be trained and certified by Klippel prior to using the three separate Klippel systems to design, develop and test. Rockford Fosgate has made the investment in Klippel to deliver the best possible speakers and subwoofers to their customers.



Model	8"	10"	12"
A - Trim Ring Diameter - inch (mm)	8.8 (223)	11.0 (280)	13.2 (335)
B- Trim Ring Height- inch (mm)	1.4 (36)	1.6 (42)	1.7 (44)
C- Overall Diameter - inch (mm)	8.5 (217)	10.8 (274)	13.0 (330)
D - Screw Hole Diameter - inch (mm)	8.0 (204)	10.1 (258)	12.3 (312)
E - Mounting Depth- inch (mm)	3.6 (92)	4.4 (112)	4.8 (122)
F- Magnet Diameter - inch (mm)	4.1 (104)	5.3 (135)	5.1 (130)
G - Mounting Diameter - inch (mm)	7.0 (177)	9.0 (227)	10.9 (276)

**Carton Contents**

- (1) Marine Grade Subwoofer
- (1) Socket head driver bit
- (1) Grille
- Installation and Operation Manual
- (8) Socket Head Stainless Screws

**Recommended Enclosures**

This manual outlines two specific types of enclosures that provide distinctly different performance. This section is to help you decide which type is best for your application.

**Sealed Enclosures**

Sealed enclosures are the simplest to build. The most important part of building a sealed enclosure is to make sure that the enclosure is airtight. Using glue and some type of sealant on all seams will ensure solid construction and prevent air leaks. The box volume will directly impact the performance of the speaker. Larger enclosures will provide flatter response and deeper bass where smaller boxes will provide a bump in the response curve and generally higher output for greater SPL.

**Advantages of sealed enclosures:**

- Small enclosures
- Linear (Flat) response
- No port noise
- High power handling at all frequencies
- Excellent for sound quality
- Extended low frequency output when compared to vented enclosures

**Vented Enclosures**

Vented enclosures vary only from the sealed enclosure in that a vent or port is added to "tune" the enclosure. The enclosures recommended are designed for great overall performance. Larger boxes tend to be easy to tune to lower frequencies while medium and small boxes are easier to tune to higher frequencies. The vented design is less linear in response than the sealed box but with noticeably more output at the tuning frequency.

**Advantages of vented enclosures:**

- Higher average output than sealed
- Tuning frequency can be easily adjusted by changing port length
- Deep bass response with lower power requirements
- Great for high output with limited power

**Infinite Baffle Design**

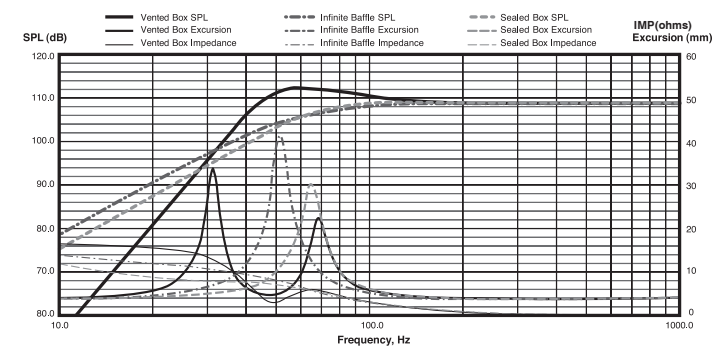
These designs typically called "IB", are the easiest enclosure types to build. The reason is that you are not actually building an enclosure, but rather simulating one. This is done by closing off a cavity area (ie; car trunk, enclosed area of a boat hull) with a baffle board. This creates your "IB" sub-woofer system. Essentially, an "IB" design can just be considered a large sealed enclosure design. Given that an "IB" design does not rely on a volume of air for its suspension, the low frequency output is driven by the speaker's inherent damping or "Qtc".

**Advantages of infinite baffle design:**

- Easy to build
- Light-weight
- Deep bass response with lower power requirements

**Vented vs Sealed vs Infinite Baffle**

The graph shown here is a sample of how SPL and Excursion differs between the various enclosures.



**Building an Enclosure**

To work properly, the walls of the enclosure must be rigid and not flex when subjected to the high pressures generated by the speaker's operation. For optimum performance, we recommend using 3/4" MDF (Medium Density Fiberboard) and internal bracing. The enclosure should be glued together and secured with nails or screws.

**Calculating Volume**

Calculating volume is merely a matter of measuring the dimensions in inches and using the formula: H x W x D divided by 1728 (cubic feet). See block below.

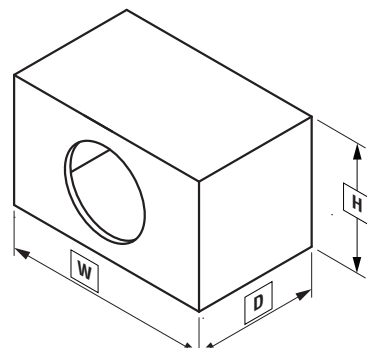
$$\frac{\text{Box Volume}}{\text{Divided by (cubic feet)}} = \frac{\text{Height} \times \text{Width} \times \text{Depth}}{1728}$$

If two facing sides are of uneven length, add them together and divide by two to take the average. Using this number will give you the volume without the necessity of calculating the box in sections and adding the sections together. The thickness of the baffle material reduces the internal volume so this must be subtracted from the outside dimensions to determine the internal volume. The speaker itself also reduces the internal volume. The amount of air displaced by each model is listed on the specification sheet and should also be subtracted from the gross volume calculation.

**Sealed Enclosure**

**NOTE: Vb is the internal volume, before any speaker and/or port displacement is added. All external dimensions were based on the use of 3/4" (1.90cm) materials.**

**NOTE:** When using enclosures other than recommended, call Technical Support for correct application.



**Optimum Sealed Enclosure Recommendation**

Sealed Enclosures	8"	10"	12"
<b>Total Internal Volume cu. ft. (Liter)</b>	<b>0.55 (15.62)</b>	<b>1.1 (31.15)</b>	<b>1.65 (46.72)</b>
Woofer Displacement cu. ft. (Liter)	0.05(1.41)	0.1 (2.83)	0.12 (3.4)
V <sub>b</sub> - Net Internal Volume cu. ft. (Liter)	0.50 (14.2)	1.0 (28.32)	1.53 (43.32)
F <sub>3</sub> - 3dB Point (Hz)	47.7	58.4	43.1
Qtc - Enclosure Damping	1.19	0.66	0.88
H - Height - inch (cm)	12 (30.48)	14.0 (35.56)	15.0 (38.1)
W - Width - inch (cm)	12 (30.48)	16.0 (40.64)	16.0 (40.64)
D - Depth - inch (cm)	10 (25.4)	13.25 (33.66)	15.0 (38.1)

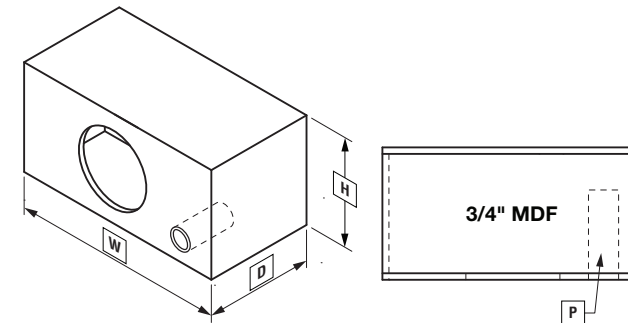
**Recommended Sealed Enclosure Volume Range**

Sealed Enclosures	8"	10"	12"
V <sub>b</sub> - Volume range cu. ft. (Liter)	0.4 to 0.75 (11.34 - 21.24)	0.75 to 1.25 (21.24 - 35.4)	1.25 to 1.75 (35.4 - 49.55)

**Vented Enclosures**

**NOTE: Vb is the internal volume, before any speaker and/or port displacement is added. All external dimensions were based on the use of 3/4" (1.90cm) materials.**

**NOTE:** When using enclosures other than recommended, call Technical Support for correct application.



**Optimum Vented (Ported) Enclosure Sizes**

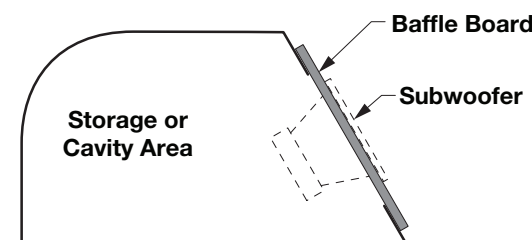
Vented Enclosures	8"	10"	12"
<b>Total Internal Volume cu. ft. (Liter)</b>	<b>1.10 (31.15)</b>	<b>1.45 (41.06)</b>	<b>2.45 (69.38)</b>
Woofer Displacement cu. ft. (Liter)	0.05 (1.41)	0.1 (2.83)	0.12 (3.4)
Port Displacement cu. ft. (Liter)	.03 (.85)	0.1 (2.83)	0.33 (9.35)
V <sub>b</sub> - Net Internal Volume cu. ft. (Liter)	1.0 (28.3)	1.25 (35.4)	2.0 (56.63)
F <sub>B</sub> - Tuning Frequency (Hz)	45	40	35
F <sub>3</sub> - 3dB Point (Hz)	34.7	39	36
H - Height - inch (cm)	12 (30.48)	15.0 (38.1)	16.0 (40.64)
W - Width - inch (cm)	16 (40.64)	15.0 (38.1)	20.0 (50.8)
D - Depth - inch (cm)	14 (35.56)	15.25 (38.74)	17.5 (44.45)
P - Port Diameter and Length - inch (cm)	3 x 9.4 (7.62 x 23.9)	3 x 9.5 (7.62 x 24.13)	4 x 14 (10.16 x 35.56)

**NOTE:** The port shown can be placed on any face of the enclosure as long as the port ends are not obstructed.

**NOTE:** When using vented enclosures, for maximum reliability and power handling ensure, that a subsonic or "infrasonic" filter is used so that only usable low frequency signal is sent to the subwoofer.

**Infinite Baffle**

An Infinite Baffle enclosure design represents an application where the compliance of the air volume within the enclosure is greater than the compliance on the speaker's suspension (Vas). An infrasonic filter is required for reliable performance.



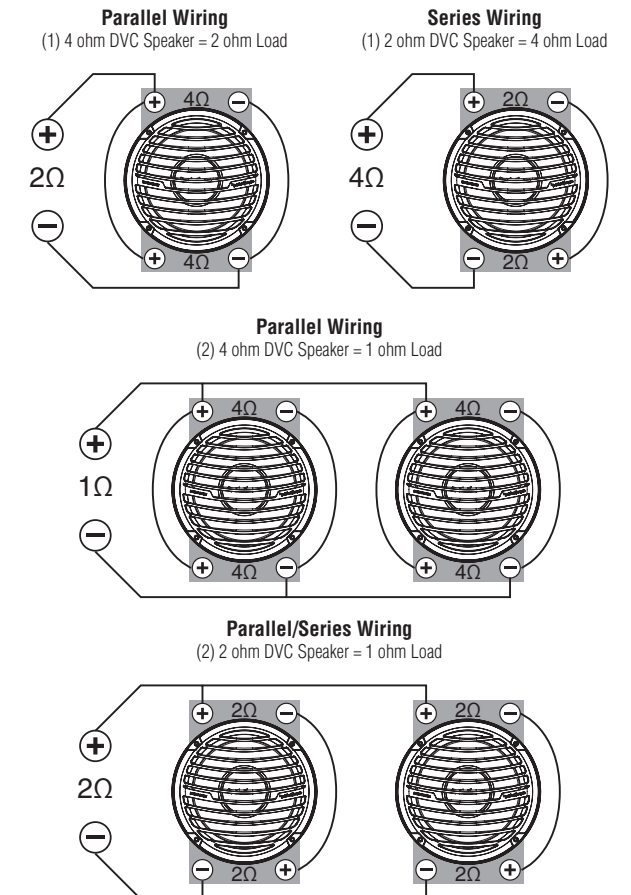
Infinite Baffle	8"	10"	12"
F <sub>3</sub> - 3dB Point (Hz)	42.7	69.4	43.3
Vas - cu. ft. (Liter)	0.63 (17.9)	1.77 (50.2)	3.80 (107.7)
Qtc - Enclosure Damping	0.66	0.43	0.54

**IMPORTANT: A subsonic or "infrasonic" filter at or above the resonant frequency (Fs) of the speaker is required.**

**NOTE: Infinite baffle installations will result in lower speaker power handling when compared to fully enclosed applications such as sealed or vented enclosures.**

**Wiring Configurations**

By varying the wiring configuration of your speakers you can create an impedance load to match your system. Altering the wiring configurations gives a range of options for impedance loads. Series, Parallel, or Series-Parallel wiring configurations are different techniques for wiring speakers that provide different loads. Series configuration is a string method where speakers are wired end to end. Parallel configuration uses two or more speakers wired across common terminals. Series-Parallel configuration combines both techniques. Choose the wiring diagram that corresponds to the number of woofers and the impedance of your amplifier.



**Subwoofer Crossovers**

There are two operational types of crossovers, passive and active. Passive crossovers (coils or inductors) are placed on the speaker leads between the amplifier and speaker. An active crossover is an electronic filter that separates the audio signal fed to different amplifiers. For optimum subwoofer performance, we recommend using an active 80-100Hz low-pass crossover at 12dB/octave.

---

**Rockford Corporation offers a limited warranty on Rockford Fosgate products on the following terms:**

## **Length of Warranty**

- POWER Amplifiers – 2 Years
- BMW® Direct Fit Speakers – 2 Years
- All other products – 1 Year
- Any Factory Refurbished Product – 90 days (receipt required)

## **What is Covered**

This warranty applies only to Rockford Fosgate products sold to consumers by Authorized Rockford Fosgate Dealers in the United States of America or its possessions. Product purchased by consumers from an Authorized Rockford Fosgate Dealer in another country are covered only by that country's Distributor and not by Rockford Corporation.

## **Who is Covered**

This warranty covers only the original purchaser of Rockford product purchased from an Authorized Rockford Fosgate Dealer in the United States. In order to receive service, the purchaser must provide Rockford with a copy of the receipt stating the customer name, dealer name, product purchased and date of purchase.

Products found to be defective during the warranty period will be repaired or replaced (with a product deemed to be equivalent) at Rockford's discretion.

## **What is Not Covered**

1. Damage caused by accident, abuse, improper operations, water, theft, shipping.
2. Any cost or expense related to the removal or reinstallation of product.
3. Service performed by anyone other than Rockford or an Authorized Rockford Fosgate Service Center.
4. Any product which has had the serial number defaced, altered, or removed.
5. Subsequent damage to other components.
6. Any product purchased outside the U.S.
7. Any product not purchased from an Authorized Rockford Fosgate Dealer.

## **Limit on Implied Warranties**

Any implied warranties including warranties of fitness for use and merchantability are limited in duration to the period of the express warranty set forth above. Some states do not allow limitations on the length of an implied warranty, so this limitation may not apply. No person is authorized to assume for Rockford Fosgate any other liability in connection with the sale of the product.

## **How to Obtain Service**

Contact the Authorized Rockford Fosgate Dealer you purchased this product from. If you need further assistance, call 1-800-669-9899 for Rockford Customer Service. You must obtain an RA# (Return Authorization number) to return any product to Rockford Fosgate. You are responsible for shipment of product to Rockford.

## **EU Warranty**

This product meets the current EU warranty requirements, see your Authorized dealer for details.

Installation assistance available at:

# RFTECH

[www.rockfordfosgate.com/rftech](http://www.rockfordfosgate.com/rftech)

## RZR® FRONT SUBWOOFER ENCLOSURE

**RFRZ-FWE**

Serial Number: \_\_\_\_\_ Date of Purchase: \_\_\_\_\_

600 South Rockford Drive • Tempe, Arizona 85281 United States  
Direct: (480) 967-3565 • Toll Free: (800) 669-9899

**ROCKFORDFOSGATE.COM**



Installation & Operation

# Introduction

Dear Customer,

*Congratulations on your purchase of the world's finest brand of audio products. At Rockford Fosgate we are fanatics about musical reproduction at its best, and we are pleased you chose our product. Through years of engineering expertise, hand craftsmanship and critical testing procedures, we have created a wide range of products that reproduce music with all the clarity and richness you deserve.*

*For maximum performance we recommend you have your new Rockford Fosgate product installed by an Authorized Rockford Fosgate Dealer, as we provide specialized training through Rockford Technical Training Institute (RTTI). Please read your warranty and retain your receipt and original carton for possible future use.*

*Great product and competent installations are only a piece of the puzzle when it comes to your system. Make sure that your installer is using 100% authentic installation accessories from Rockford Fosgate in your installation. Rockford Fosgate has everything from RCA cables and speaker wire to power wire and battery connectors. Insist on it! After all, your new system deserves nothing but the best.*

*To add the finishing touch to your new Rockford Fosgate image order your Rockford accessories, which include everything from T-shirts to hats.*

*Visit our web site for the latest information on all Rockford products;*

**[www.rockfordfosgate.com](http://www.rockfordfosgate.com)**

or, in the U.S. call 1-800-669-9899 or FAX 1-800-398-3985. For all other countries, call +001-480-967-3565 or FAX +001-480-966-3983.

## Table of Content

2	Introduction
3	Enclosure Assembly
4-10	Installation
11	Blank
12	Warranty

If, after reading your manual, you still have questions regarding this product, we recommend that you see your Rockford Fosgate dealer. If you need further assistance, you can call us direct at **1-800-669-9899**. Be sure to have your serial number, model number and date of purchase available when you call.

### PRACTICE SAFE SOUND

Continuous exposure to sound pressure levels over 100dB may cause permanent hearing loss. High powered auto sound systems may produce sound pressure levels well over 130dB. Use common sense and practice safe sound.

## Safety

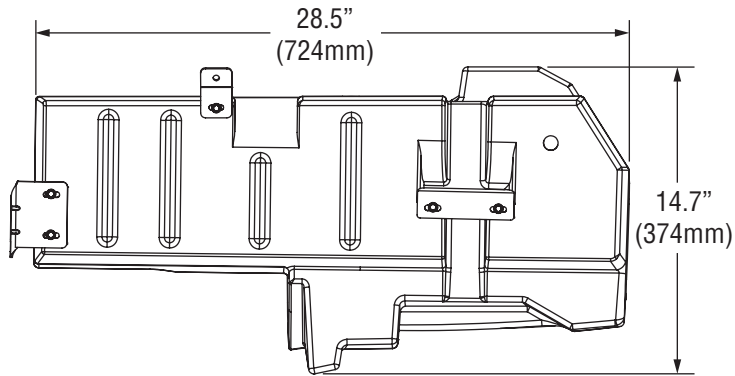
This symbol with "WARNING" is intended to alert the user to the presence of important instructions. Failure to heed the instructions will result in severe injury or death.



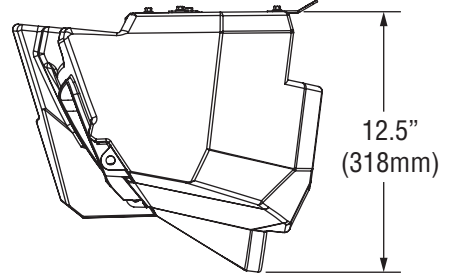
This symbol with "CAUTION" is intended to alert the user to the presence of important instructions. Failure to heed the instructions can result in injury or unit damage.



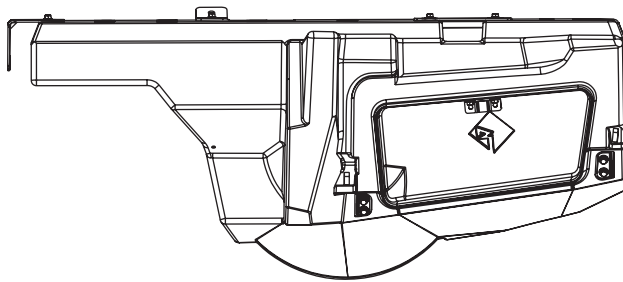
- To prevent injury and damage to the unit, please read and follow the instructions in this manual. We want you to enjoy this system, not get a headache.
- If you feel unsure about installing this system yourself, have it installed by a qualified Rockford Fosgate technician.
- Before installation, disconnect the battery negative (-) terminal to prevent damage to the unit, fire and/or possible injury.



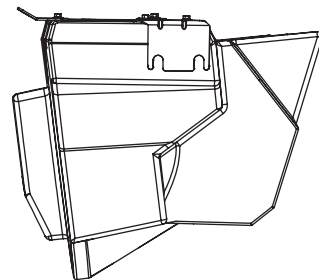
TOP VIEW



PASSENGER SIDE (RIGHT)

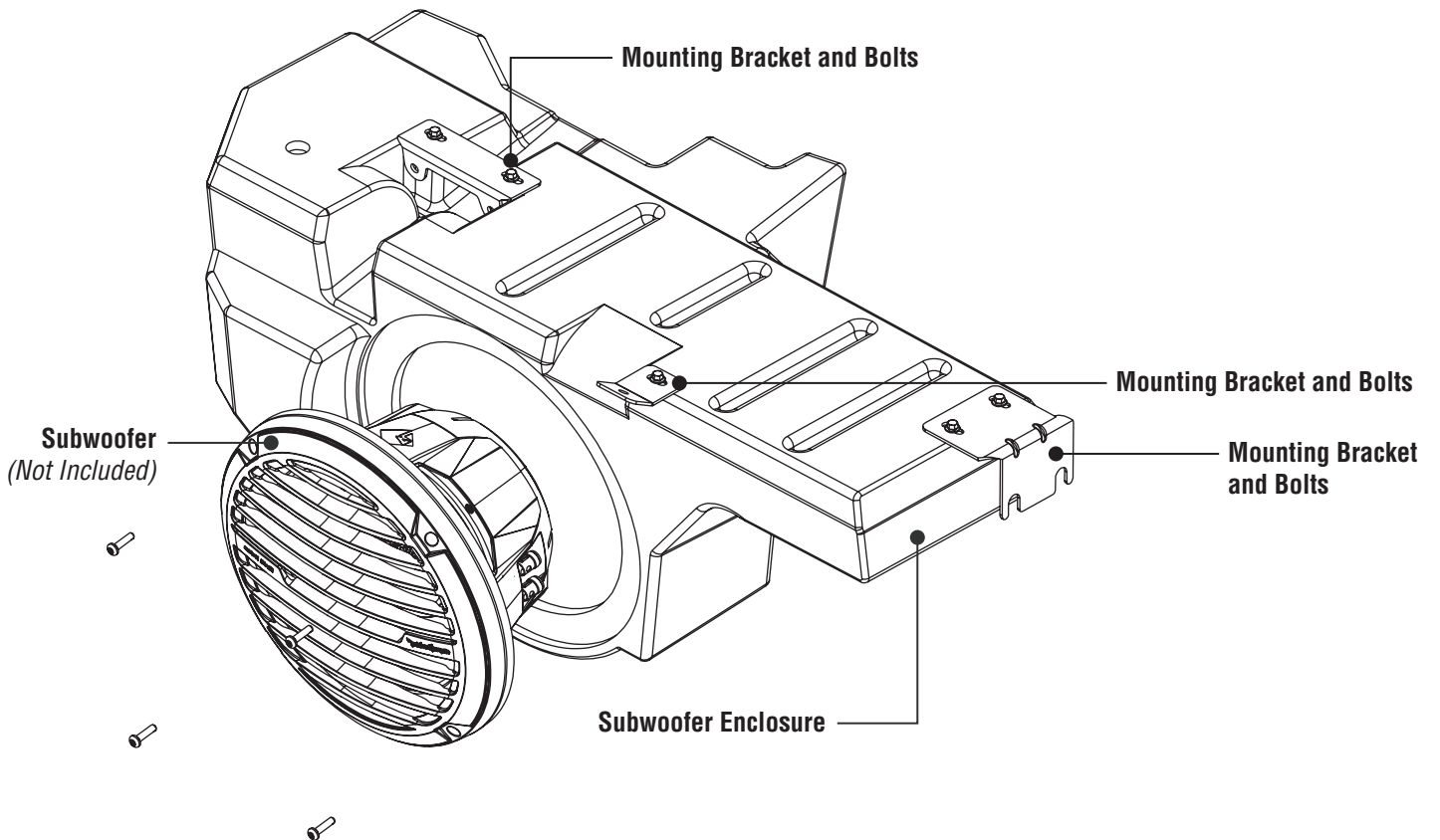


FRONT VIEW



DRIVER SIDE (LEFT)

**TYPICAL ASSEMBLY**



# Installation

## Contents

- (1) Front Subwoofer Enclosure
- (3) Enclosure Mounting Brackets
- (1) Subwoofer Spacer Ring
- (1) Mounting Screw Pack
- (1) Latch Mount & Screws
- (1) 12 AWG Subwoofer Wire
- (1) 12 AWG Jumper Wire
- Installation Guide

## Installation Tools

The following is a list of suggested tools needed for installation:

- Ratchet
- 15mm Socket/Wrench
- 13mm Sock/Wrench
- Torx - T40

## Installation Considerations

This section focuses on some considerations for installing your Polaris® RZR® Front Subwoofer Enclosure. This manual will illustrate the installation process with a 2016 Polaris RZR XP4 Turbo.

If you feel unsure about installing this system yourself, have it installed by a qualified technician.

**⚠ CAUTION** Before installation, disconnect the battery negative (-) terminal to prevent damage to the unit, fire and/or possible injury.

**⚠ CAUTION** Before beginning any installation, follow these simple rules:

- Be sure to carefully read and understand the instructions before attempting to install this motorcycle audio kit.
- Consult your UTV's service manual for model specific information. Models may differ from year to year depending on factory options and aftermarket accessories added.
- This front subwoofer enclosure is specifically designed to work with Rockford Fosgate's Element Ready 10" subwoofers.
- With the addition of an amplifier or source unit, be sure that your current charging system is in proper working order.
- Visit [rockfordfosgate.com](http://rockfordfosgate.com) for more comprehensive installation videos and product information.

## Applicable Models:

- 2014 and up RZR® XP/XP4 1000
- 2016 and up RZR® XP/XP4 Turbo
- 2015 and up RZR® S/ XC / 4 900



The front subwoofer enclosure is designed to work with Rockford Fosgate's Element Ready 10" subwoofers, RFRZ-PMXWH1 and RFRZ-K4D wire kits.

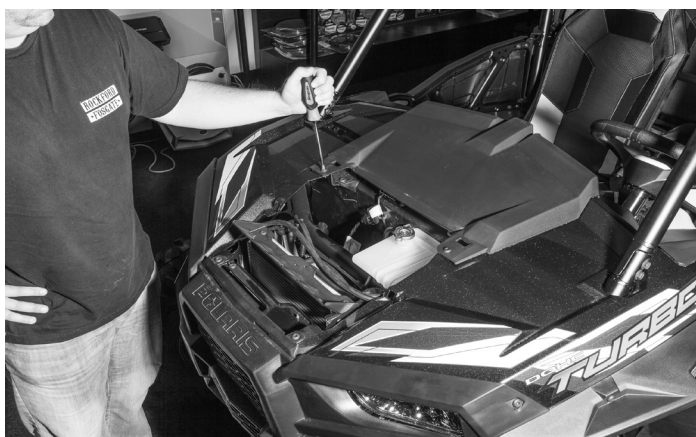
### Step 1 - Remove Hood

Twist the two hood latches and slide toward the front of the vehicle to release the hood.



### Step 2 - Remove Top Dash Panel

Using your Torx screwdriver, unbolt the two factory bolts.



Using your hands, pull the top dash piece toward the interior of the vehicle to release it from the dash.



Disconnect all of the wires connectors and set aside.



### Step 3 - Remove Passenger Grab Bar

To remove the grab bar, you will need remove the retaining pin and pull the grab bar out of it's mount.



### Step 4 - Remove Center Pocket

Using a Torx screwdriver, remove the bolt that attaches the brace to the rear of the pocket.



After the brace is disconnected from the center pocket, pull the pocket out of the dash.

### Step 5 - Remove Dash

Using your Torx screwdriver, remove the two bolts holding the dash onto the chassis. There are two and they are located above the center pocket.



# Installation



Once the bolts are removed you will need to pull the dash off of the chassis.

NOTE: When pulling the dash off you will notice that it still feels attached. It has several retaining clips on each side that are holding it in place. Just continue pulling toward the interior of the vehicle to release the dash from the chassis.



## Step 6 - Remove Glove Box

To get the glove box removed, you will first need to remove the glove box door. Open the door and then push it to the passenger side of the vehicle. At the same time pull the driver's side of the door out to release the retaining stud.

NOTE: Bending the door slightly may be required to get the door removed.



Once the glove box door is removed, remove the bolts holding the glove box in place. There are two above the chassis dash bar.



Remove the glove box from the vehicle once bolts are removed.



## Step 7 - Load Subwoofer Into Enclosure

Before mounting the subwoofer enclosure, you will need to load the subwoofer into the enclosure. The kit contains two wires for the subwoofer. A main wire that goes to an amplifier and the other is a jumper for dual voice coil subwoofers.

**⚠ WARNING** Reference your subwoofer's manual for proper wiring. Failure to wire the subwoofer correctly can cause damage to the amplifier and/or subwoofer.



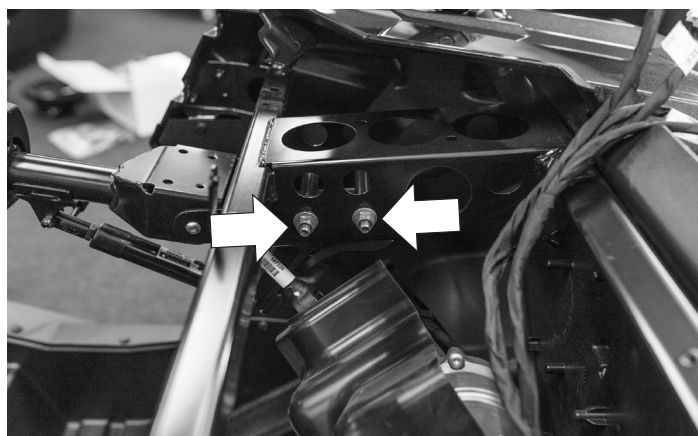
Place the subwoofer into the enclosure and line up the predrilled holes in the enclosure with the subwoofer's mounting holes.

**NOTE:** If your subwoofer mounting holes do not line up, predrilling holes is suggested before screwing subwoofer to enclosure.

**NOTE:** When installing your subwoofer be sure to check for interference with the subwoofer and the inside of the enclosure. A spacer ring is included in the kit if you have a subwoofer that is touching the enclosure.



Install the subwoofer grille that was provided with your woofer.



## Step 8 - Install Steering Column Bracket

You will need to loosen the two nuts that are located above the steering column. One of the subwoofer enclosure brackets will be mounted in this location. It is not necessary to completely remove the nuts.



Slide the bracket between the nuts and the column support. Do not tighten yet.

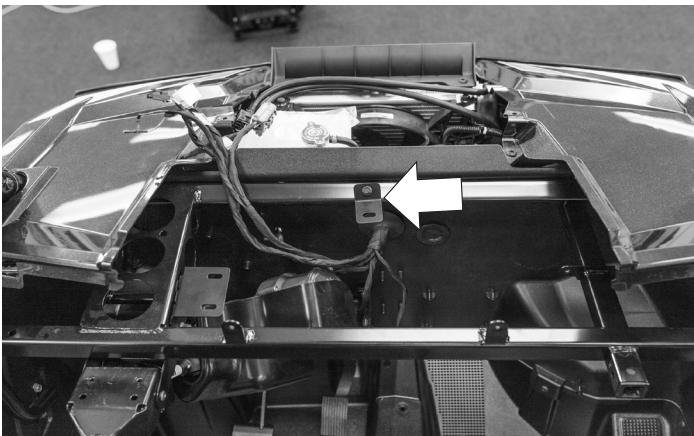
**NOTE:** All of the brackets being installed should only be hand tightened. Leaving all of the fasteners loose will make installation process easier.

## Installation



### Step 9 - Replace Center Pocket Bracket

The center pocket bracket will need to be removed and replaced with a new bracket that comes with the kit.

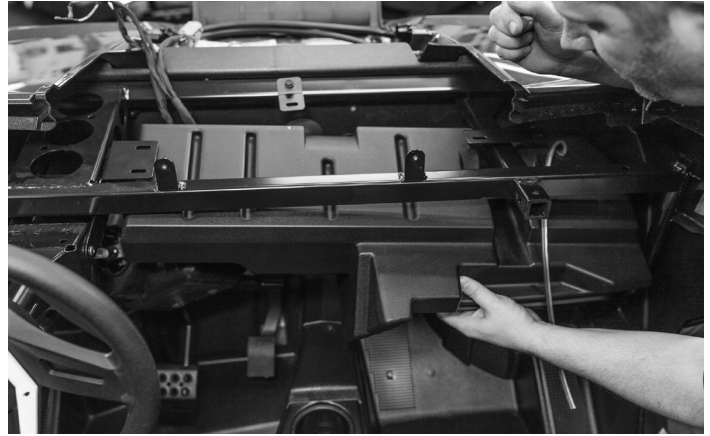


Attach the new bracket with the existing bolt that previously held the center pocket bracket.



### Step 10 - Install Grab Bar Enclosure Bracket

This next step requires another bracket to be mounted to the two holes where the factory glove box was mounted.



### Step 11 - Install the Loaded Subwoofer Enclosure

Once all of the brackets are installed, the subwoofer enclosure can now be installed. The enclosure goes into the vehicle with the subwoofer facing the fire wall and the flat side of the enclosure is on top. The box needs to be inserted up towards the driver's side of the vehicle first.



Line up the brackets with the mounting holes and insert supplied hardware into the enclosure's mounting holes. Keep everything hand tight until you get all of the hardware in place.



**NOTE:** The vehicle's wire harnesses that were removed from the dash top will go between the enclosure and the fire wall. There is a groove on the enclosure where the wires are to be routed.

NOTE: Due to the weight of the enclosure and subwoofer, an additional person to help is recommended.



Once all of the hardware is in place, tighten all of the brackets down to the enclosure first, then to the chassis.



## Step 12 - Install Glove Box Door

After all of the brackets are tight and secure, the glove box door will need to be installed onto the enclosure. Insert the door stud towards the passenger side retainer first, then insert the stud on the passenger side.



NOTE: The glove box latch mount that is pre installed on the enclosure is designed to work with 2015 and newer model latching systems. If you have a 2014 model, you will need to install the latch adapter onto the pre installed latch mount using the two supplied screws.

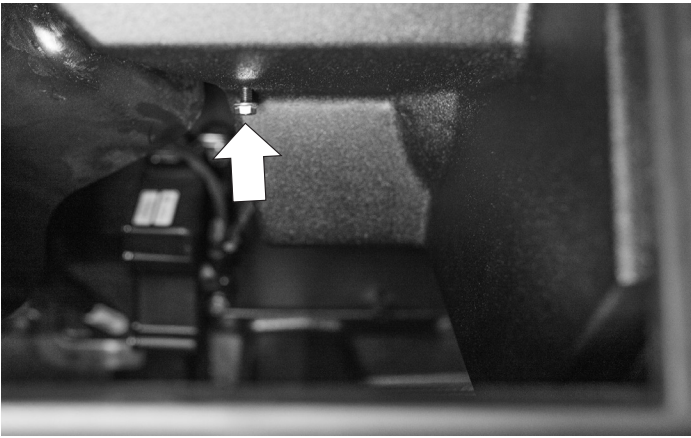
## Installation

---



### **Step 13 - Install Dash**

Now you can install the dash back into place.



### **Step 14 - Install Center Pocket**

After you have the dash installed, the center pocket can go back in the vehicle. Be sure to slide the pocket support onto the new stud from the enclosure.

NOTE: This threaded stud replaces the factory installed center pocket bracket.

### **Step 15 - Install Top Dash, Hood and Grab Bar**

You can reinstall the top dash panel, hood and grab bars after connecting your subwoofer to an amplifier. Using Rockford Fosgate's RFRZ-4KD dual amplifier installation kit is recommended but not necessary.



# Warranty

---

**Rockford Corporation offers a limited warranty on Rockford Fosgate products on the following terms:**

## **Length of Warranty**

- POWER Amplifiers – 2 Years
- BMW® Direct Fit Speakers – 2 Years
- All other products – 1 Year
- Any Factory Refurbished Product – 90 days (receipt required)

## **What is Covered**

This warranty applies only to Rockford Fosgate products sold to consumers by Authorized Rockford Fosgate Dealers in the United States of America or its possessions. Product purchased by consumers from an Authorized Rockford Fosgate Dealer in another country are covered only by that country's Distributor and not by Rockford Corporation.

## **Who is Covered**

This warranty covers only the original purchaser of Rockford product purchased from an Authorized Rockford Fosgate Dealer in the United States. In order to receive service, the purchaser must provide Rockford with a copy of the receipt stating the customer name, dealer name, product purchased and date of purchase.

Products found to be defective during the warranty period will be repaired or replaced (with a product deemed to be equivalent) at Rockford's discretion.

## **What is Not Covered**

1. Damage caused by accident, abuse, improper operations, water, theft, shipping.
2. Any cost or expense related to the removal or reinstallation of product.
3. Service performed by anyone other than Rockford or an Authorized Rockford Fosgate Service Center.
4. Any product which has had the serial number defaced, altered, or removed.
5. Subsequent damage to other components.
6. Any product purchased outside the U.S.
7. Any product not purchased from an Authorized Rockford Fosgate Dealer.

## **Limit on Implied Warranties**

Any implied warranties including warranties of fitness for use and merchantability are limited in duration to the period of the express warranty set forth above. Some states do not allow limitations on the length of an implied warranty, so this limitation may not apply. No person is authorized to assume for Rockford Fosgate any other liability in connection with the sale of the product.

## **How to Obtain Service**

Contact the Authorized Rockford Fosgate Dealer you purchased this product from. If you need further assistance, call 1-800-669-9899 for Rockford Customer Service. You must obtain an RA# (Return Authorization number) to return any product to Rockford Fosgate. You are responsible for shipment of product to Rockford.

## **EU Warranty**

This product meets the current EU warranty requirements, see your Authorized dealer for details.

# RZR® AMPLIFIER INSTALLATION KIT

**RFRZ14-K8**

Serial Number: \_\_\_\_\_

Date of Purchase: \_\_\_\_\_

# Warranty

---

**Rockford Corporation offers a limited warranty on Rockford Fosgate products on the following terms:**

## **Length of Warranty**

- POWER Amplifiers – 2 Years
- BMW® Direct Fit Speakers – 2 Years
- All other products - 1 Year
- Any Factory Refurbished Product – 90 days (receipt required)

## **What is Covered**

This warranty applies only to Rockford Fosgate products sold to consumers by Authorized Rockford Fosgate Dealers in the United States of America or its possessions. Product purchased by consumers from an Authorized Rockford Fosgate Dealer in another country are covered only by that country's Distributor and not by Rockford Corporation.

## **Who is Covered**

This warranty covers only the original purchaser of Rockford product purchased from an Authorized Rockford Fosgate Dealer in the United States. In order to receive service, the purchaser must provide Rockford with a copy of the receipt stating the customer name, dealer name, product purchased and date of purchase.

Products found to be defective during the warranty period will be repaired or replaced (with a product deemed to be equivalent) at Rockford's discretion.

## **What is Not Covered**

1. Damage caused by accident, abuse, improper operations, water, theft, shipping.
2. Any cost or expense related to the removal or reinstallation of product.
3. Service performed by anyone other than Rockford or an Authorized Rockford Fosgate Service Center.
4. Any product which has had the serial number defaced, altered, or removed.
5. Subsequent damage to other components.
6. Any product purchased outside the U.S.
7. Any product not purchased from an Authorized Rockford Fosgate Dealer.

## **Limit on Implied Warranties**

Any implied warranties including warranties of fitness for use and merchantability are limited in duration to the period of the express warranty set forth above. Some states do not allow limitations on the length of an implied warranty, so this limitation may not apply. No person is authorized to assume for Rockford Fosgate any other liability in connection with the sale of the product.

## **How to Obtain Service**

Contact the Authorized Rockford Fosgate Dealer you purchased this product from. If you need further assistance, call 1-800-669-9899 for Rockford Customer Service. You must obtain an RA# (Return Authorization number) to return any product to Rockford Fosgate. You are responsible for shipment of product to Rockford.

## **EU Warranty**

This product meets the current EU warranty requirements, see your Authorized dealer for details.

# Introduction

Dear Customer,

Congratulations on your purchase of the world's finest brand of audio products. At Rockford Fosgate we are fanatics about musical reproduction at its best, and we are pleased you chose our product. Through years of engineering expertise, hand craftsmanship and critical testing procedures, we have created a wide range of products that reproduce music with all the clarity and richness you deserve.

For maximum performance we recommend you have your new Rockford Fosgate product installed by an Authorized Rockford Fosgate Dealer, as we provide specialized training through Rockford Technical Training Institute (RTTI). Please read your warranty and retain your receipt and original carton for possible future use.

Great product and competent installations are only a piece of the puzzle when it comes to your system. Make sure that your installer is using 100% authentic installation accessories from Rockford Fosgate in your installation. Rockford Fosgate has everything from RCA cables and speaker wire to power wire and battery connectors. Insist on it! After all, your new system deserves nothing but the best.

To add the finishing touch to your new Rockford Fosgate image order your Rockford accessories, which include everything from T-shirts to hats.

Visit our web site for the latest information on all Rockford products; [www.rockfordfosgate.com](http://www.rockfordfosgate.com)

or, in the U.S. call 1-800-669-9899 or FAX 1-800-398-3985. For all other countries, call +001-480-967-3565 or FAX +001-480-966-3983.

## Table of Content

- 2 Introduction
- 3 Amplifier Bracket Assembly
- 4 Warranty

If, after reading your manual, you still have questions regarding this product, we recommend that you see your Rockford Fosgate dealer. If you need further assistance, you can call us direct at **1-800-669-9899**. Be sure to have your serial number, model number and date of purchase available when you call.

## Safety

This symbol with "WARNING" is intended to alert the user to the presence of important instructions. Failure to heed the instructions will result in severe injury or death.



**WARNING**

This symbol with "CAUTION" is intended to alert the user to the presence of important instructions. Failure to heed the instructions can result in injury or unit damage.



**CAUTION**

- To prevent injury and damage to the unit, please read and follow the instructions in this manual. We want you to enjoy this system, not get a headache.

- If you feel unsure about installing this system yourself, have it installed by a qualified Rockford Fosgate technician.
- Before installation, disconnect the battery negative (-) terminal to prevent damage to the unit, fire and/or possible injury.

## PRACTICE SAFE SOUND

Continuous exposure to sound pressure levels over 100dB may cause permanent hearing loss. High powered auto sound systems may produce sound pressure levels well over 130dB. Use common sense and practice safe sound.

## Contents

- (2) Amplifier Mounting Bracket
- (2) RCA Harnesses
- (1) Main Power / Ground w/ Fuse
- (1) Bolt / Screw Pack
- Plastic Wire Tie Wraps

## Installation Tools

The following is a list of suggested tools needed for installation:

- Ratchet
- 5/32" Allen Wrench
- 15mm Socket / Wrench
- Small Flat Blade Screwdriver
- 13mm Socket / Wrench
- Wire Cutters
- Torx - T40

## Installation Considerations

Before installation, disconnect the battery negative (-) terminal to prevent damage to the unit, fire and/or possible injury.

Before beginning any installation, follow these simple rules:

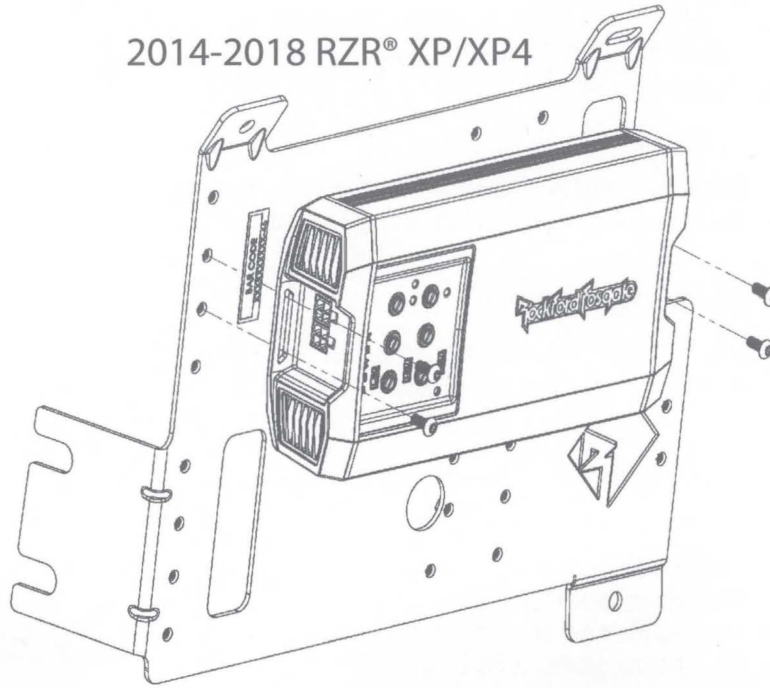


**CAUTION**

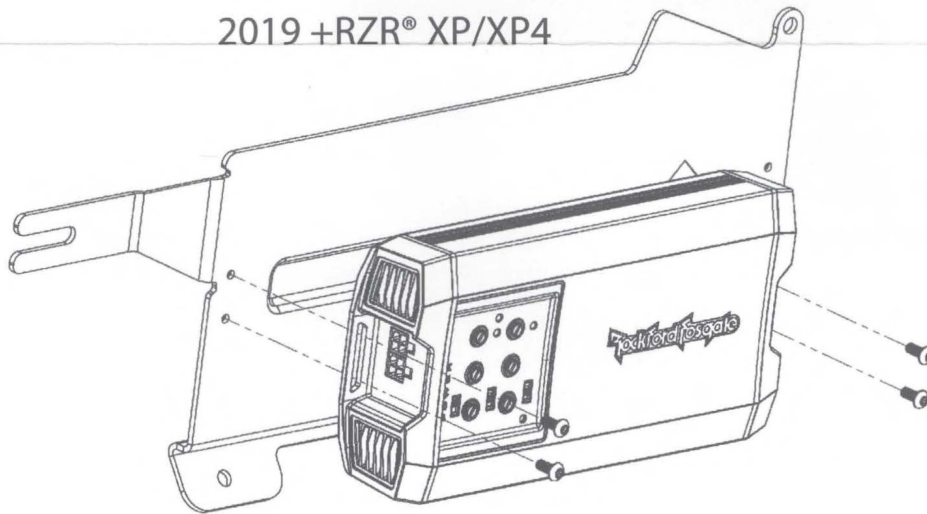
- Be sure to carefully read and understand the instructions before attempting to install this dual amplifier installation kit.
- Consult your UTV's service manual for model specific information. Models may differ from year to year depending on factory options and aftermarket accessories added.
- With the addition of an amplifier or source unit, be sure that your current charging system is in proper working order.
- Visit [rockfordfosgate.com](http://rockfordfosgate.com) for more comprehensive installation videos and product information.

**All models Models:  
2014 +RZR® XP/XP4**

2014-2018 RZR® XP/XP4



2019 +RZR® XP/XP4



Installation assistance available at:

# RFTECH

[www.rockfordfosgate.com/rftech](http://www.rockfordfosgate.com/rftech)

032019JF

1230-72553-01-A

Printed in China

600 South Rockford Drive • Tempe, Arizona 85281 United States  
Direct: (480) 967-3565 • Toll Free: (800) 669-9899

**ROCKFORDFOSGATE.COM**



# PUNCH®

## DIGITAL MEDIA RECEIVER

### PMX-2



WORKS WITH  
**PANDORA**

Made for  
**iPod iPhone**

 **Bluetooth**

**IPX6**

**MP3**

Serial Number: \_\_\_\_\_

Date of Purchase: \_\_\_\_\_



Installation & Operation

# Introduction

Dear Customer,

*Congratulations on your purchase of the world's finest brand of audio products. At Rockford Fosgate we are fanatics about musical reproduction at its best, and we are pleased you chose our product. Through years of engineering expertise, hand craftsmanship and critical testing procedures, we have created a wide range of products that reproduce music with all the clarity and richness you deserve.*

*For maximum performance we recommend you have your new Rockford Fosgate product installed by an Authorized Rockford Fosgate Dealer, as we provide specialized training through Rockford Technical Training Institute (RTTI). Please read your warranty and retain your receipt and original carton for possible future use.*

*Great product and competent installations are only a piece of the puzzle when it comes to your system. Make sure that your installer is using 100% authentic installation accessories from Rockford Fosgate in your installation. Rockford Fosgate has everything from RCA cables and speaker wire to power wire and battery connectors. Insist on it! After all, your new system deserves nothing but the best.*

*To add the finishing touch to your new Rockford Fosgate image, order your Rockford accessories, which include everything from T-shirts to hats.*

*Visit our web site for the latest information on all Rockford products;*

**www.rockfordfosgate.com**

or, in the U.S. call 1-800-669-9899 or FAX 1-800-398-3985. For all other countries, call +001-480-967-3565 or FAX +001-480-966-3983.

## Table of Contents

2	Introduction
3	Specifications
4	Design Features
5	Wiring
6	Installation/Mounting
7-10	Operation
	Settings
	Tuner (AM/FM/WB)
	USB-iPod
	AUX (Auxiliary Input)
	Bluetooth®
	Pandora®
11	Troubleshooting
12-31	French, Spanish, German and Italian
32	Limited Warranty Information

If, after reading your manual, you still have questions regarding this product, we recommend that you see your Rockford Fosgate dealer. If you need further assistance, you can call us direct at 1-800-669-9899. Be sure to have your serial number, model number and date of purchase available when you call.

## PRACTICE SAFE SOUND

Continuous exposure to sound pressure levels over 100dB may cause permanent hearing loss. High powered auto sound systems may produce sound pressure levels well over 130dB. Use common sense and practice safe sound.

## Safety

This symbol with "WARNING" is intended to alert the user to the presence of important instructions. Failure to heed the instructions will result in severe injury or death.



This symbol with "CAUTION" is intended to alert the user to the presence of important instructions. Failure to heed the instructions can result in injury or unit damage.



To prevent injury and damage to the unit, please read and follow the instructions in this manual. We want you to enjoy this system, not get a headache.

If you feel unsure about installing this system yourself, have it installed by a qualified Rockford Fosgate technician.

Before installation, disconnect the battery negative (-) terminal to prevent damage to the unit, fire and/or possible injury.

## FCC Compliance Statement

This equipment has been tested and found to comply with the limits for a Class B digital device, pursuant to part 15 of the FCC Rules. These limits are designed to provide more reasonable protection against harmful interference in a residential installation.

Operation is subjected to the following two conditions: (1) This device may not cause harmful interference, and (2) the device must accept any interference received, including interference that may cause undesired operation.

This equipment generates, uses, and can radiate radio frequency energy and, if not installed and used in accordance with the instructions, may cause harmful interference to radio communications. However, there is no guarantee that interference will not occur in a particular installation. If this equipment does cause harmful interference to radio or television reception, which can be determined by turning the equipment off and on, you are encouraged to try to correct the interference by one of the following measures:

- Reorient or relocate the receiving antenna.
- Increase the separation between the equipment and receiver.
- Connect the equipment into an outlet on a circuit different from that to which the receiver is connected.
- Consult the dealer or an experienced radio/TV technician for help

©2015 Rockford Corporation. All Rights Reserved. PUNCH® and associated logos where applicable, are registered trademarks of Rockford Corporation in the United States and/or other countries. iPhone and iPod are trademarks of Apple Inc., registered in the U.S. and other countries. The Bluetooth® word mark and logos are registered trademarks owned by Bluetooth SIG, Inc. and any use of such marks by Rockford Corporation is under license. All other trademarks are the property of their respective owners. Specifications subject to change without notice.

"Made for iPod" and "Made for iPhone" mean that an electronic accessory has been designed to connect specifically to iPod, or iPhone, respectively, and has been certified by the developer to meet Apple performance standards. Apple is not responsible for the operation of this device or its compliance with safety and regulatory standards. Please note that the use of this accessory with iPod or iPhone may affect wireless performance.

Pandora, the Pandora logo, and the Pandora trade dress are trademarks or registered trademarks of Pandora Media, Inc. Used with permission. Pandora is only available in certain countries. Please visit <http://www.pandora.com/legal> for more information.

Model	PMX-2
Operating Voltage	10.5V - 16V
Fuse Rating	20A
Power Output	25 W X 4 @ 4 Ohms RMS 50 W x 4 @ 2 Ohms Peak
Max. RCA Output Voltage	4V
Output Impedance	500Ω
Frequency Response	20 - 20kHz
FM Frequency Range	87.5MHz - 107.9MHz
AM Frequency Range	530kHz - 1710kHz
WB Frequency Range	162.40 - 162.55 (US & Canada)
Tuner Presets	18 FM / 12 AM / 6 WB
Clock	No Clock
Display	2.7" Color TFT
Bluetooth	3.0+EDR, A2DP 1.3
USB Compatibility	2.0
USB Capacity	32 GB max, 255 Folders max, 999 Songs max
USB Output	1A
Made for iPhone Model Names-	iPhone 6S Plus iPhone 7 Plus iPhone 6S iPhone 7 iPhone 6 Plus iPhone SE iPhone 6 iPhone 5S iPhone 5C iPhone 5 iPhone 4S iPhone 4 iPhone 3GS
Made for iPod Model Names	iPod Touch (5th generation) iPod Touch (4th generation) iPod Nano (7th generation) iPod Nano (6th generation)
Android Compatibility	Bluetooth® Only
Audio File Compatibility	MP3, WMA
Compatible Wired Remotes	PMX-1R, PMX-OR (3 Remote Limit, 100 ft Total Wired Distance)



CEA 2006

Power ratings on Rockford Fosgate source units conform to CEA-2006 industry standards. These guidelines mean your source unit's output power ratings are REAL POWER numbers, not inflated marketing ratings.

# Design Features

## Rotary Encoder

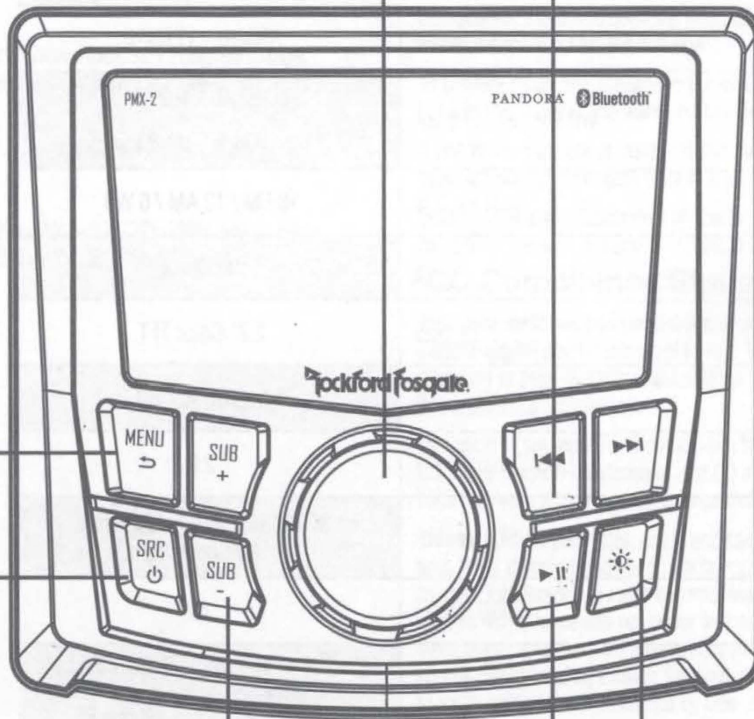
This knob is for adjusting main volume, zone volumes, menu navigation and setting adjustments.

## REV / FWD button

Use this button to skip back and forward through channels or tracks with a short press. Long pressing will activate manual seek mode.

## MENU button

This button gives you access to the main settings of the unit by long pressing. Short pressing will give you access to the settings for the active source.



## SRC (Power) Button

This button allows you to switch between sources (short press) and power the unit ON and OFF (long press).

## DIMMER button

Pressing this button will allow you to select between the two brightness values for the display.

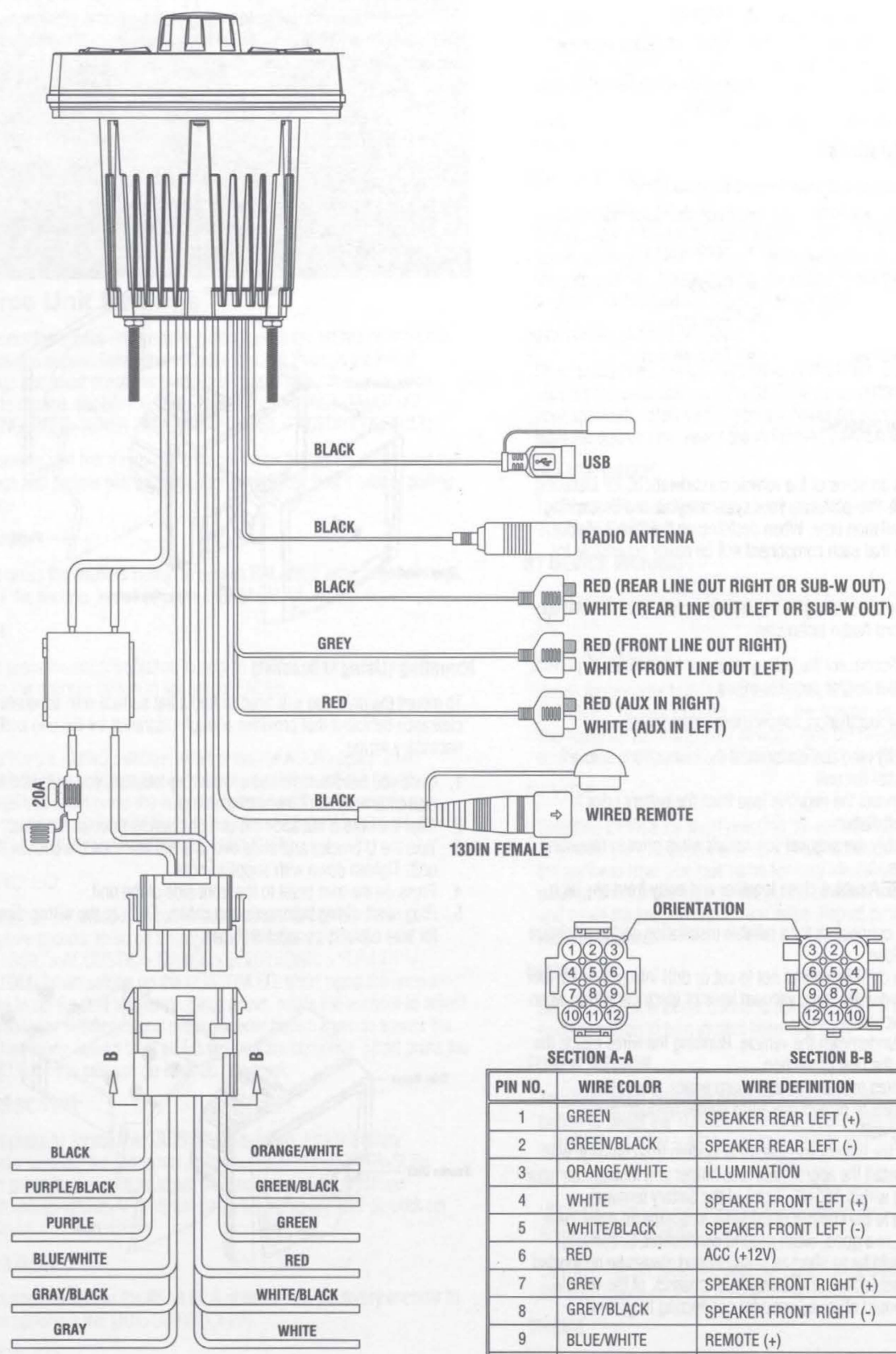
## SUB Buttons

These buttons allow you to adjust the subwoofer output or rear line out UP or DOWN (0-20).

## PLAY / PAUSE button

Press this button to play or pause your music. This button also acts as a MUTE when the source is in AUX & TUNER mode.

Fig. 1



**ORIENTATION**

**SECTION A-A**

**SECTION B-B**

PIN NO.	WIRE COLOR	WIRE DEFINITION	AWG
1	GREEN	SPEAKER REAR LEFT (+)	20
2	GREEN/BLACK	SPEAKER REAR LEFT (-)	20
3	ORANGE/WHITE	ILLUMINATION	20
4	WHITE	SPEAKER FRONT LEFT (+)	20
5	WHITE/BLACK	SPEAKER FRONT LEFT (-)	20
6	RED	ACC (+12V)	16
7	GREY	SPEAKER FRONT RIGHT (+)	20
8	GREY/BLACK	SPEAKER FRONT RIGHT (-)	20
9	BLUE/WHITE	REMOTE (+)	20
10	PURPLE	SPEAKER REAR RIGHT (+)	20
11	PURPLE/BLACK	SPEAKER REAR RIGHT (-)	20
12	BLACK	GROUND (-)	16

Fig. 2

## Contents

- Source Unit
- Trim Bezel
- Mounting Plate
- U Bracket
- Screws
- Power / Speaker Harness
- Installation & Operation Manual

## Installation Considerations

The following is a basic list of tools needed for installation:

- Volt/Ohm meter
- Wire strippers
- Wire crimpers
- Wire cutters
- #2 Phillips screwdriver
- Battery post wrench
- Hand held drill w/ assorted bits
- Heat shrink tubing
- Soldering iron
- Solder
- Heat gun
- 7mm wrench

This section focuses on some of the vehicle considerations for installing your new source unit. Pre-planning your system layout and best wiring routes will save installation time. When deciding on the layout of your new system, be sure that each component will be easily accessible for making adjustments.

If you feel unsure about installing this system yourself, have it installed by a qualified Rockford Audio technician.

Before installation, disconnect the battery negative (-) terminal to prevent damage to the unit, fire and/or possible injury.

Before beginning any installation, follow these simple rules:

1. Be sure to carefully read and understand the instructions before attempting to install the unit.
2. For safety, disconnect the negative lead from the battery prior to beginning the installation.
3. For easier assembly, we suggest you run all wires prior to mounting your unit in place.
4. Route all of the RCA cables close together and away from any high current wires.
5. Use high quality connectors for a reliable installation and to minimize signal or power loss.
6. Think before you drill! Be careful not to cut or drill into gas tanks, fuel lines, brake or hydraulic lines, vacuum lines or electrical wiring when working on any vehicle.
7. Never run wires underneath the vehicle. Running the wires inside the vehicle provides the best protection.
8. Avoid running wires over or through sharp edges. Use rubber or plastic grommets to protect any wires routed through metal, especially the firewall.
9. ALWAYS protect the battery and electrical system from damage with proper fusing. Install the appropriate fuse holder and fuse on the +12V power wire within 18" (45.7 cm) of the battery terminal.
10. When grounding to the chassis of the vehicle, scrape all paint from the metal to ensure a good, clean ground connection. Grounding connections should be as short as possible and always be connected to metal that is welded to the main body, or chassis, of the vehicle. Seatbelt bolts should never be used for connecting to ground.

## Mounting (Using Mounting Plate)

To mount the unit, you will need to find a flat surface with adequate clearance behind it that provides enough clearance for the unit and all it's necessary wiring.

1. Once you have determined a mounting location, you will need to cut a circular hole 3" (77mm) in diameter.
2. After the hole is cut slide the unit and wiring through the hole.
3. Slide the mounting plate over the backside of the unit and secure with the supplied screws.
4. Press on the trim bezel to the front side of the unit.
5. Plug in all wiring harnesses and cables. Refer to the wiring diagram for wire harness connection types.

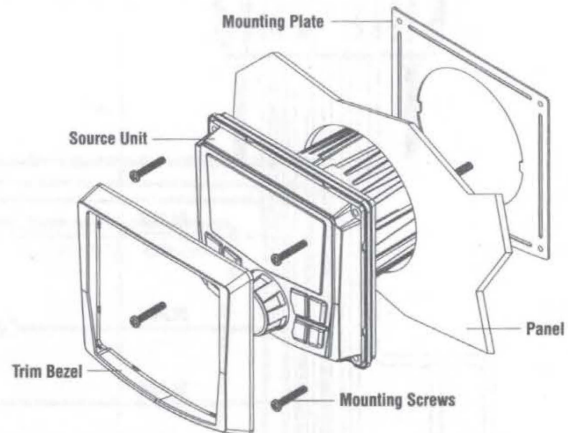


Fig. 3

## Mounting (Using U Bracket)

To mount the unit, you will need to find a flat surface with adequate clearance behind it that provides enough clearance for the unit and all it's necessary wiring.

1. Once you have determined a mounting location, you will need to cut a circular hole 3" (77mm) in diameter.
2. After the hole is cut slide the unit and wiring through the hole.
3. Take the U bracket and slide over the two studs on the back of the unit. Tighten down with supplied nuts.
4. Press on the trim bezel to the front side of the unit.
5. Plug in all wiring harnesses and cables. Refer to the wiring diagram for wire harness connection types.

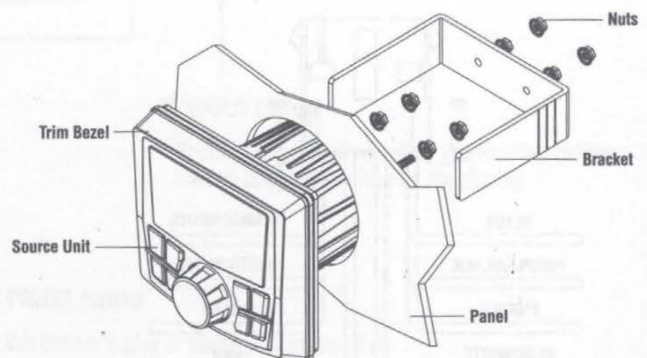


Fig. 4

## SETTINGS

BALANCE	>
FADE	>
AUDIO	>
VOLTAGE GAUGE	11V
BT DEVICE PAIRING	>

## Source Unit Settings

To access the source unit's settings, long press the MENU button until the options appear. Rotate the encoder to scroll through the list of settings and short press the encoder button to select the setting you wish to change. (BALANCE>FADER>AUDIO>VOLTAGE GAUGE>BT PAIRING>BEEP>TUNER REGION>SOFTWARE>FACTORY DEFAULT)

This source unit has a zero current draw when turned off. All of your settings and presets will be saved along with your boat's battery during storage.

## BALANCE

Short press the encoder button to access BALANCE adjustment settings. Rotate the encoder button to set output BALANCE.

## FADER

Short press the encoder button to access FADER adjustment settings. Rotate the encoder button to set output FADER.

## AUDIO

To access the AUDIO settings, short press the AUDIO option from the MENU screen. Rotate the encoder to scroll through the list of settings and short press the encoder button to select the setting you wish to change. (7 BAND EQ>CROSSOVER>PEQ>REAR RCA>AUX INPUT>SOURCE GAIN>INTERNAL AMPLIFIER)

## 7 BAND EQ

Short press the encoder button to access the 7 BAND EQ settings. Use the rotary encoder to scroll through the EQ settings. (FLAT > ROCK > CLASSIC > ACOUSTIC > DANCE > ELECTRONIC > HIP-HOP > CUSTOM) When setting up the CUSTOM EQ, short press the encoder button to set the first frequency. Once active, rotate the encoder to adjust the frequency settings. Short press encoder button again to access the next frequency. Repeat until all EQ settings are complete. Short press the MENU button to exit and go back up one level.

## CROSSOVER

Short press to access the CROSSOVER settings. Use the rotary encoder to select the crossover zone options (FRONT>REAR>SUB). Short press the encoder to adjust the frequency of the crossover (60Hz>80Hz>120Hz>APF). Short press MENU to exit and go back up one level.

## REAR RCA

Short press to access the REAR RCA options. Use the rotary encoder to select options (LINE OUT>SUBWOOFER).

## PUNCH EQ

Short press to access the PUNCH EQ settings. Use the rotary encoder to adjust the gain output (0-12). Short press MENU to exit and go back up one level.

Punch EQ is an onboard equalizer with up to +18dB @ 45Hz and/or up to +12dB boost at 12.5kHz

## AUX INPUT

RENAME – To rename AUX, short press the encoder button to set the first letter of the new name. Once active, rotate encoder to adjust letters. Short press the encoder button again to set the next letter. Repeat until AUX has been renamed. Short press MENU to exit and go back up one level.

ENABLE - Short press the encoder button to access options. Rotate the encoder button to select if unit is discoverable. (ENABLE > DISABLE)

## SOURCE GAIN

To adjust the level of device input gain, scroll through the inputs (FM TUNER>AM TUNER>WB TUNER>USB>AUX>BLUETOOTH>PANDORA) to the device you want to adjust, short press the encoder button to access the gain settings. Rotate the encoder button to set the level of gain. (-3dB > -2dB > -1dB > 0dB > +1dB > +2dB > +3dB)

## INTERNAL AMPLIFIER

Short press to access the INTERNAL AMPLIFIER options. Use the rotary encoder to select options (ON>OFF). When using an amplifier to power your speakers, select OFF. If you are powering your speakers directly from the source unit, select the INTERNAL AMPLIFIER to ON.

## VOLTAGE GAUGE

To display the vehicle voltage, short press the encoder button on the VOLTAGE GAUGE option.

## BT DEVICE PAIRING

Short press the encoder button to access options (DISCOVERABLE > DEVICE).

## DISCOVERABLE

Rotate the encoder button to select if unit is discoverable for pairing. (ENABLE > DISABLE) Once enabled, the source unit is now discoverable and ready for pairing to your device. Open the Bluetooth settings on your device to find the source unit labeled "Rockford PMX" and select.

## DEVICE

Selecting DEVICE by short pressing the encoder button will allow you to rename the source unit with up to 16 characters. This gives you the ability to have a unique name for easy identification during device pairing. Short press the encoder button to select the letter to be changed and rotate the knob to change the value. Repeat process until desired name is reached.

## BEEP

Short press the encoder button to access the BEEP options. Rotate the encoder button to turn system beep ON/ OFF.

## TUNER REGION

To adjust, short press the encoder button to access. Rotate the encoder button to select the TUNER REGION of your preference. (EUROPE > USA > RUSSIA > LATIN > ASIA > JAPAN > MIDEAST > AUSTRALIA)

## SOFTWARE

VERSION - Short press the encoder button to display the current firmware version of the unit.

UPDATE - Short press the encoder button to update the firmware. Follow the instructions on the screen when updating.

## THEME

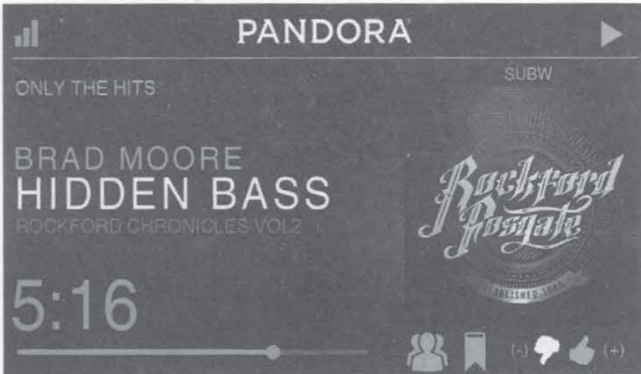
To adjust the THEME, short press the encoder to access the feature. Rotate the encoder button to select the desired THEME (DAY, NIGHT, AUTO)

## FACTORY DEFAULT

AUDIO – Short press the encoder button to access. Rotate the encoder button to select YES/NO. Selecting YES will reset your unit back to

## SHUFFLE

Short press the encoder button to access the SHUFFLE feature options (OFF>ALL). This feature allows you to set your preference on shuffling tracks or songs.



## Pandora®

This feature allows you to control the Pandora® app from the source unit directly (Android users will have to use Bluetooth only, iOS users can use both USB and Bluetooth). You will need to start the Pandora® app on your device first, then select the Pandora® source option on the source unit. To use the "Thumbs Up" feature, long press the SUB+ button. To use the "Thumbs down" feature, long press the SUB - button.

To play or pause a song, short press the PLAY/PAUSE button.

To skip a track forward, short press the FWD button.

To access Pandora® specific settings, short press the MENU button for the list of settings (STATIONS>BOOKMARKS>STATIONS MANAGE). Use the encoder to select the option to change.

## STATIONS

To adjust, short press the encoder button to access. Rotate the encoder button to select your options (SHUFFLE>SORT DATE/A-Z>STATIONS). Selecting the SHUFFLE option will shuffle your stations and selecting the SORT feature will sort your stations by date added or alphabetically. You can also select your saved stations directly from this list.

## BOOKMARKS

To BOOKMARK an artist or track that is playing, short press the encoder button to display your BOOKMARK options (ARTIST>TRACK). Select the option you wish to use for bookmarking.

## STATIONS MANAGE

To create stations, short press the encoder button to display your STATION MANAGE options (CREATE FROM ARTIST> CREATE FROM TRACK> CREATE FROM GENRE>DELETE). Selecting the CREATE FROM ARTIST OPTION allows you to create a station from the artist that you are currently listening to. CREATE FROM TRACK works similarly by creating a station from the current track being played. If you create a station by selecting CREATE FROM GENRE, this will give you music genres to select from to create your station. Selecting DELETE will delete the now playing station.

Pandora, the Pandora logo, and the Pandora trade dress are trademarks or registered trademarks of Pandora Media, Inc. Used with permission. Pandora is only available in certain countries. Please visit <http://www.pandora.com/legal> for more information.

Symptom	Diagnosis	Remedy
<b>Basic</b>		
Source unit does not turn on.	Blown fuse	Check fuse of the unit, replace with correct rating.
	Vehicle's ignition is off	If connected following the instructions, the unit will not operate with ignition off.
	Voltage applied to Red wire is not between 10.5 & 16 volts or there is no voltage present	Check battery, connections and fuses and repair or replace as necessary. If voltage is above +16 volts, have the electrical system inspected by an authorized service center.
	Unit is not properly grounded	Check wiring and repair as necessary.
<b>Radio Tuner</b>		
Tuner fails to tune any stations	No antenna or disconnected or open connection in cable	Check all connections and repair as necessary.
Unable to tune stations in seek mode	You are in a weak signal area	Make sure the tuner LOC mode is off.
<b>USB Devices</b>		
USB device cannot be inserted	The USB device has been inserted in the wrong direction	Reversing the connection direction of the USB device, try reinserting.
	The USB device connector is broken	Replace with a new USB device.
USB device is not recognized	The USB device is damaged	Disconnect USB device and reconnect. If the device is still not recognized, try replacing with a different USB device. USB does not work with Android devices.
	Connectors are loose	
No sound heard with the display "No File" shown	No MP3/WMA files are stored on the USB device	Store these files properly on the USB device. USB does not work with Android devices.
Sound skips or is noisy	MP3/WMA files are not created properly	Use MP3/WMA files that are encoded correctly.
<b>AUX</b>		
MP3 is not playing back	Writing error occurred. The MP3 format is not compatible.	Make sure MP3 has been written in a supported format

# Warranty

---

**Rockford Corporation offers a limited warranty on Rockford Fosgate products on the following terms:**

## **Length of Warranty**

POWER Amplifiers – 2 Years  
BMW® Direct Fit Speakers – 2 Years  
PUNCH® & PRIME® Amplifiers – 1 Year  
Speakers, Signal Processors, Accessories and Capacitors – 1 Year  
All marine, motorcycle, motorsport products - 2 Years  
Any Factory Refurbished Product – 90 Days (receipt required)

## **What is Covered**

This warranty applies only to Rockford Fosgate products sold to consumers by authorized Rockford Fosgate dealers in the United States of America. Products purchased by consumers from an Authorized Rockford Fosgate Dealer in another country are covered only by that country's Distributor and not by Rockford Corporation.

## **Who is Covered**

This warranty covers only the original purchaser of Rockford product purchased from an authorized Rockford Fosgate dealer in the United States. In order to receive service, the purchaser must provide Rockford with a copy of the receipt stating the customer name, dealer name, product purchased and date of purchase.

Products found to be defective during the warranty period will be repaired or replaced (with a product deemed to be equivalent) at Rockford's discretion.

## **What is Not Covered**

1. Damage caused by accident, abuse, improper installation, operations, theft, water (on non-Element Ready products).
2. Any cost or expense related to the removal or reinstallation of product.
3. Service performed by anyone other than Rockford or an authorized Rockford Fosgate service center.
4. Any product which has had the serial number defaced, altered, or removed.
5. Subsequent damage to other components.
6. Any product purchased outside the U.S.
7. Any product not purchased from an authorized Rockford Fosgate dealer. Refer to [rockfordfosgate.com](http://rockfordfosgate.com) dealer locator for more detail.

## **Limit on Implied Warranties**

Any implied warranties including warranties of fitness for use and merchantability are limited in duration to the period of the express warranty set forth above. Some states do not allow limitations on the length of an implied warranty, so this limitation may not apply. No person is authorized to assume for Rockford Fosgate any other liability in connection with the sale of the product.

## **How to Obtain Service**

Please call 1-800-669-9899 for Rockford Customer Service. You must obtain an RA# (Return Authorization number) to return any product to Rockford Fosgate. You are responsible for shipment of product to Rockford.

## **EU Warranty**

This product meets the current EU warranty requirements, see your Authorized dealer for details.

Installation assistance available at:

# RFTECH

[www.rockfordfsgate.com/rftech](http://www.rockfordfsgate.com/rftech)

Printed in China

1230-59187-01-H

120116

600 South Rockford Drive • Tempe, Arizona 85281 United States  
Direct: (480) 967-3565 • Toll Free: (800) 669-9899

**ROCKFORDFSGATE.COM**



752-00PMX2RC-01-04

# RZR<sup>®</sup> DASH KIT FOR PMX COMPACT DIGITAL MEDIA RECEIVERS

**RFRZ14-PMXDK**



Serial Number: \_\_\_\_\_

Date of Purchase: \_\_\_\_\_

# Introduction

Dear Customer,

Congratulations on your purchase of the world's finest brand of audio products. At Rockford Fosgate we are fanatics about musical reproduction at its best, and we are pleased you chose our product. Through years of engineering expertise, hand craftsmanship and critical testing procedures, we have created a wide range of products that reproduce music with all the clarity and richness you deserve.

For maximum performance we recommend you have your new Rockford Fosgate product installed by an Authorized Rockford Fosgate Dealer, as we provide specialized training through Rockford Technical Training Institute (RTTI). Please read your warranty and retain your receipt and original carton for possible future use.

Great product and competent installations are only a piece of the puzzle when it comes to your system. Make sure that your installer is using 100% authentic installation accessories from Rockford Fosgate in your installation. Rockford Fosgate has everything from RCA cables and speaker wire to power wire and battery connectors. Insist on it! After all, your new system deserves nothing but the best.

To add the finishing touch to your new Rockford Fosgate image order your Rockford accessories, which include everything from T-shirts to hats.

Visit our web site for the latest information on all Rockford products;

[www.rockfordfosgate.com](http://www.rockfordfosgate.com)

or, in the U.S. call 1-800-669-9899 or FAX 1-800-398-3985. For all other countries, call +001-480-967-3565 or FAX +001-480-966-3983.

## Table of Contents

2	Introduction
3-4	Specifications / Mounting
5	Warranty

If, after reading your manual, you still have questions regarding this product, we recommend that you see your Rockford Fosgate dealer. If you need further assistance, you can call us direct at **1-800-669-9899**. Be sure to have your serial number, model number and date of purchase available when you call.

## Safety

This symbol with "WARNING" is intended to alert the user to the presence of important instructions. Failure to heed the instructions will result in severe injury or death.



**WARNING**

This symbol with "CAUTION" is intended to alert the user to the presence of important instructions. Failure to heed the instructions can result in injury or unit damage.



**CAUTION**

- To prevent injury and damage to the unit, please read and follow the instructions in this manual. We want you to enjoy this system, not get a headache.

- If you feel unsure about installing this system yourself, have it installed by a qualified Rockford Fosgate technician.
- Before installation, disconnect the battery negative (-) terminal to prevent damage to the unit, fire and/or possible injury.

## PRACTICE SAFE SOUND

Continuous exposure to sound pressure levels over 100dB may cause permanent hearing loss. High powered auto sound systems may produce sound pressure levels well over 130dB. Use common sense and practice safe sound.

## Contents

- Upper/Lower dash kit with backplates
- Source Unit power harness.
- (8) Shoulder Head Bolts

## Installation Tools


The following is a list of suggested tools needed for installation:


## Installation Considerations

- Torx - T40
- Pry Tool or Small Flat Blade Screw Driver

**NOTE: The process for removing the center pocket to mount the dash kits are the same for Model Years 14-18. 2019+ was a full dash remodel so the process is the similar, yet has significant differences. Refer to the drawings on pages 4 & 5 for attaching the source units to the dash kits.**

If you feel unsure about installing this system yourself, have it installed by a qualified technician.

Before installation, disconnect the battery negative (-) terminal to prevent damage to the unit, fire and/or possible injury.  **CAUTION**

Before beginning any installation, follow these simple rules:  **CAUTION**

- Be sure to carefully read and understand the instructions before attempting to install this source unit dash kit.
- Consult your UTV's service manual for model specific information. Models may differ from year to year depending on factory options and aftermarket accessories added.
- These dash kits are specifically designed to work with Rockford Fosgate's PMX series compact digital media receivers.
- Visit [rockfordfosgate.com](http://rockfordfosgate.com) for more comprehensive installation videos and product information.

**Lower Dash Kit compatible with all RZR® XP/XP4 models 2014+**

**Upper Dash Kit compatible with all RZR® XP/XP4 2019+**

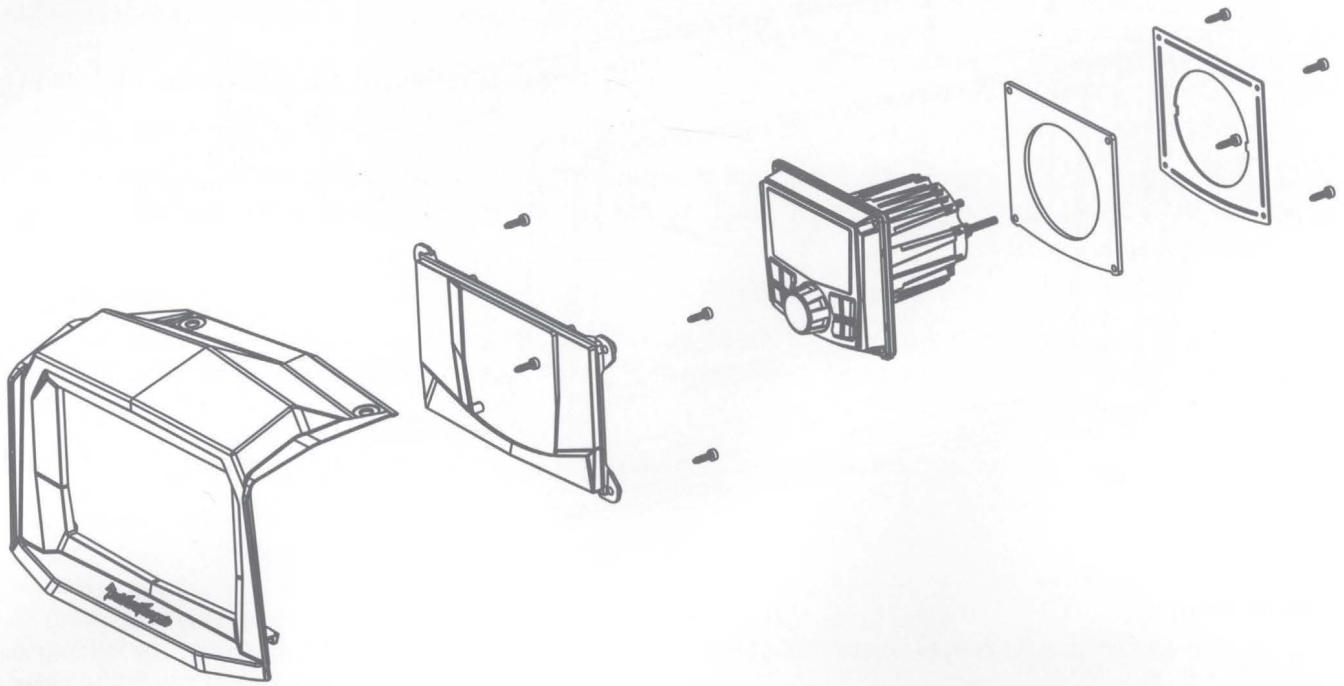


Fig. 1

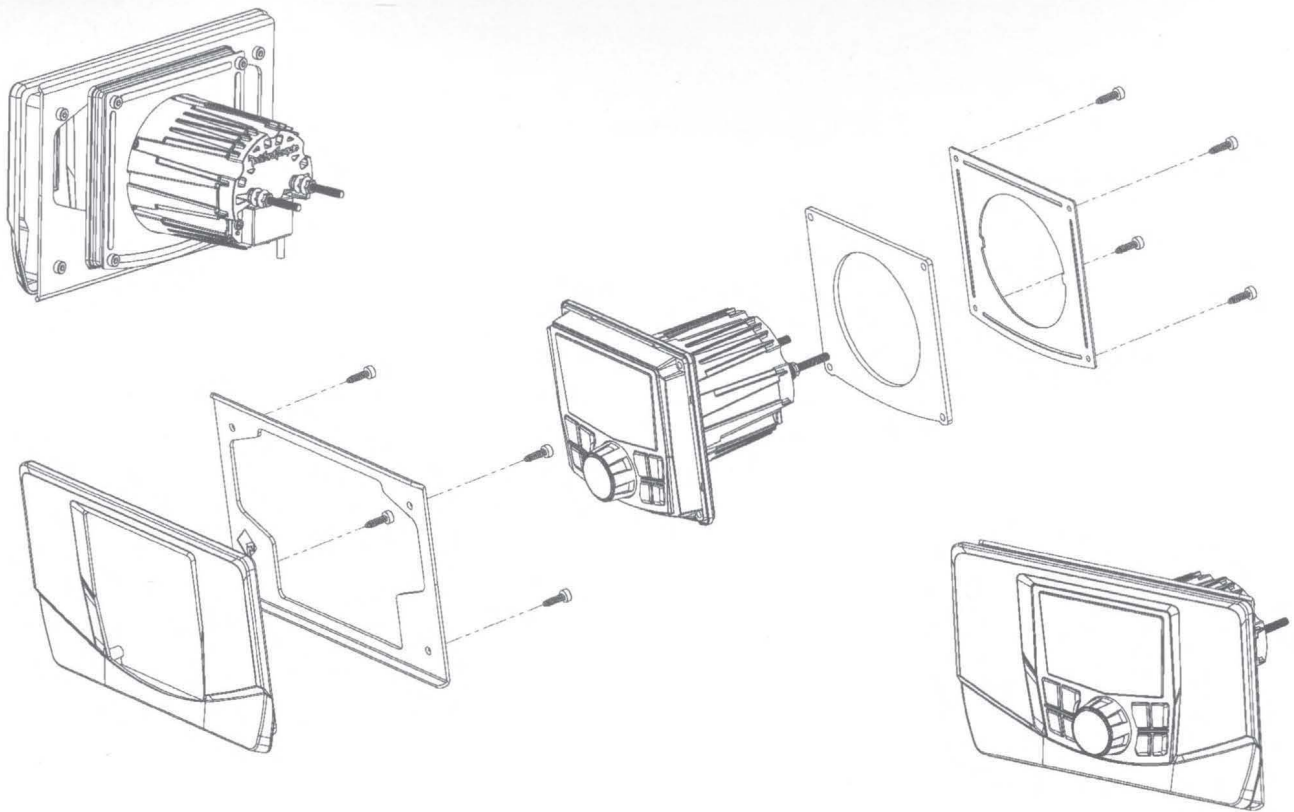
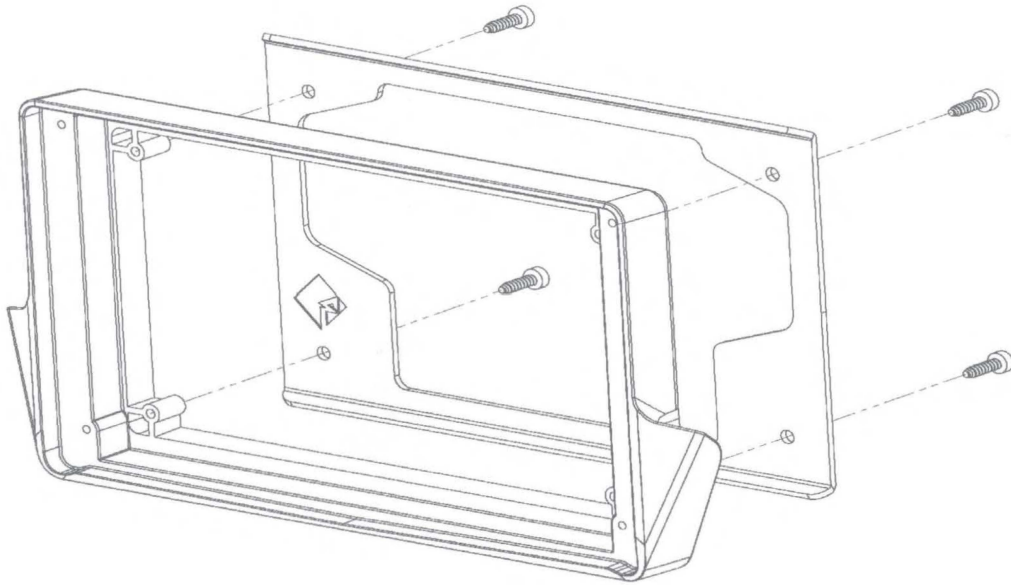


Fig. 2



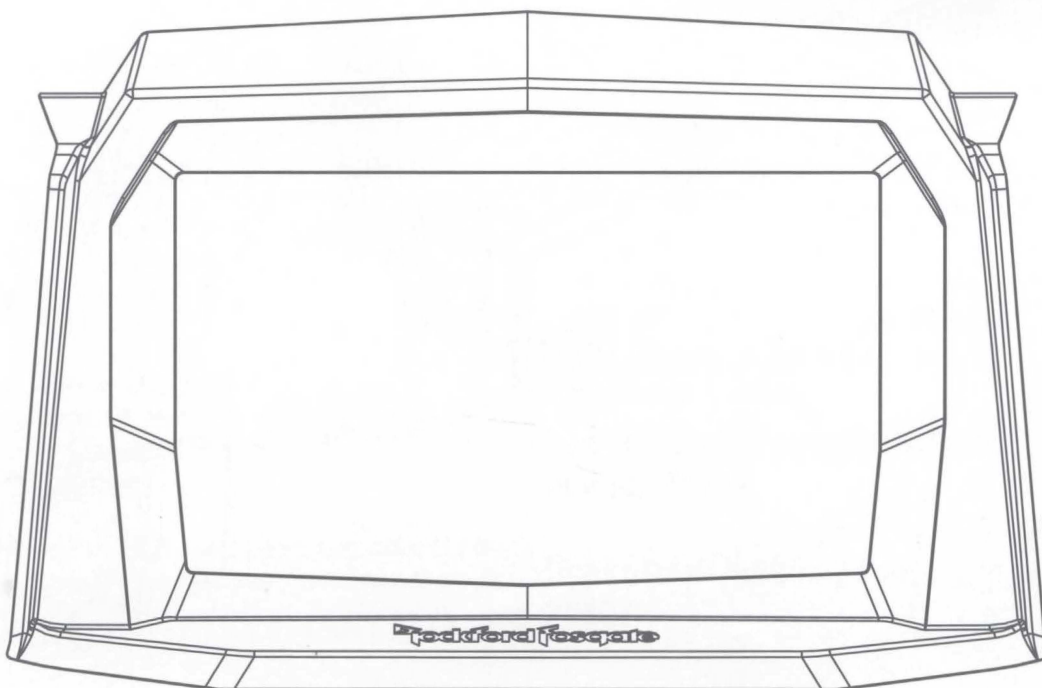
## PMX-8 Compatibility

Both the upper and lower dash kits have the ability to mount a PMX-8 Media Receiver.

### NOTE:

- The PMX-8 is only compatible with 2019+ models that have the new dash style. It WILL fit 2019 models only with the new style dash.
- The PMX-8 WILL NOT be included in any of the Stage Kits and will have to be purchased Separately.
- The Stage Kits DO NOT include provisions for mounting the PMX-8 Black Box and is up to the end users discretion when mounting.

Fig. 3



# Warranty

---

**Rockford Corporation offers a limited warranty on Rockford Fosgate products on the following terms:**

## **Length of Warranty**

- POWER Amplifiers – 2 Years
- BMW® Direct Fit Speakers – 2 Years
- All other products - 1 Year
- Any Factory Refurbished Product – 90 days (receipt required)

## **What is Covered**

This warranty applies only to Rockford Fosgate products sold to consumers by Authorized Rockford Fosgate Dealers in the United States of America or its possessions. Product purchased by consumers from an Authorized Rockford Fosgate Dealer in another country are covered only by that country's Distributor and not by Rockford Corporation.

## **Who is Covered**

This warranty covers only the original purchaser of Rockford product purchased from an Authorized Rockford Fosgate Dealer in the United States. In order to receive service, the purchaser must provide Rockford with a copy of the receipt stating the customer name, dealer name, product purchased and date of purchase.

Products found to be defective during the warranty period will be repaired or replaced (with a product deemed to be equivalent) at Rockford's discretion.

## **What is Not Covered**

1. Damage caused by accident, abuse, improper operations, water, theft, shipping.
2. Any cost or expense related to the removal or reinstallation of product.
3. Service performed by anyone other than Rockford or an Authorized Rockford Fosgate Service Center.
4. Any product which has had the serial number defaced, altered, or removed.
5. Subsequent damage to other components.
6. Any product purchased outside the U.S.
7. Any product not purchased from an Authorized Rockford Fosgate Dealer.

## **Limit on Implied Warranties**

Any implied warranties including warranties of fitness for use and merchantability are limited in duration to the period of the express warranty set forth above. Some states do not allow limitations on the length of an implied warranty, so this limitation may not apply. No person is authorized to assume for Rockford Fosgate any other liability in connection with the sale of the product.

## **How to Obtain Service**

Contact the Authorized Rockford Fosgate Dealer you purchased this product from. If you need further assistance, call 1-800-669-9899 for Rockford Customer Service. You must obtain an RA# (Return Authorization number) to return any product to Rockford Fosgate. You are responsible for shipment of product to Rockford.

## **EU Warranty**

This product meets the current EU warranty requirements, see your Authorized dealer for details.

# Warranty

---

**Rockford Corporation offers a limited warranty on Rockford Fosgate products on the following terms:**

## Length of Warranty

- POWER Amplifiers – 2 Years
- BMW® Direct Fit Speakers – 2 Years
- All other products - 1 Year
- Any Factory Refurbished Product – 90 days (receipt required)

## What is Covered

This warranty applies only to Rockford Fosgate products sold to consumers by Authorized Rockford Fosgate Dealers in the United States of America or its possessions. Product purchased by consumers from an Authorized Rockford Fosgate Dealer in another country are covered only by that country's Distributor and not by Rockford Corporation.

## Who is Covered

This warranty covers only the original purchaser of Rockford product purchased from an Authorized Rockford Fosgate Dealer in the United States. In order to receive service, the purchaser must provide Rockford with a copy of the receipt stating the customer name, dealer name, product purchased and date of purchase.

Products found to be defective during the warranty period will be repaired or replaced (with a product deemed to be equivalent) at Rockford's discretion.

## What is Not Covered

1. Damage caused by accident, abuse, improper operations, water, theft, shipping.
2. Any cost or expense related to the removal or reinstallation of product.
3. Service performed by anyone other than Rockford or an Authorized Rockford Fosgate Service Center.
4. Any product which has had the serial number defaced, altered, or removed.
5. Subsequent damage to other components.
6. Any product purchased outside the U.S.
7. Any product not purchased from an Authorized Rockford Fosgate Dealer.

## Limit on Implied Warranties

Any implied warranties including warranties of fitness for use and merchantability are limited in duration to the period of the express warranty set forth above. Some states do not allow limitations on the length of an implied warranty, so this limitation may not apply. No person is authorized to assume for Rockford Fosgate any other liability in connection with the sale of the product.

## How to Obtain Service

Contact the Authorized Rockford Fosgate Dealer you purchased this product from. If you need further assistance, call 1-800-669-9899 for Rockford Customer Service. You must obtain an RA# (Return Authorization number) to return any product to Rockford Fosgate. You are responsible for shipment of product to Rockford.

## EU Warranty

This product meets the current EU warranty requirements, see your Authorized dealer for details.

Installation assistance available at:

# RFTECH

[www.rockfordfosgate.com/rfttech](http://www.rockfordfosgate.com/rfttech)

032019JF

1230-72556-01-A

Printed in China

600 South Rockford Drive • Tempe, Arizona 85281 United States  
Direct: (480) 967-3565 • Toll Free: (800) 669-9899

**ROCKFORDFOSGATE.COM**

