

# Super Slim License Plate Camera

## INSTRUCTION MANUAL

**\*Model**  VTL275TJ       VTL375TJ  
 VTL405TJ       VTL425TJ

---

## Table of contents

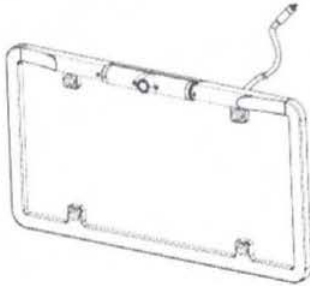
1.Package	3-4
2. Limited time warranty	5
3. Care instructions	5
4.Key Features	5
5.Dimension& Wiring	6-7
6.Specification	8

---

# 1.Package

---

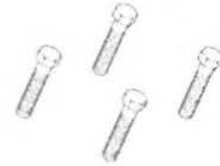
## 1-1.VTL275TJ / VTL375TJ



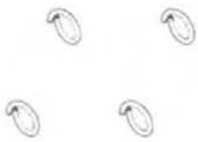
Super Slim Camera  
1FA



Instruction manual  
1EA



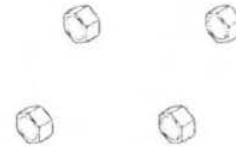
M6 Hex bolt  
4EA



Spring Washer  
4EA



Plate washer  
4EA



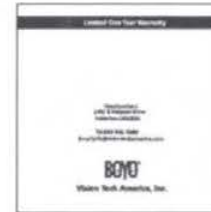
M6 Hex nut  
4EA



1.5ØL-wrench  
1EA



Adaptor cable  
1EA



Warranty card  
1EA



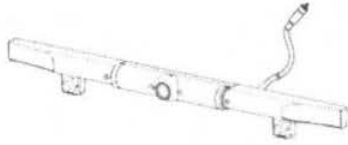
Registration card  
1EA

---

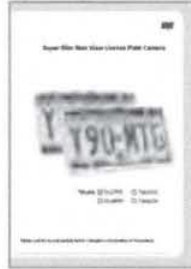
# 1.Package

---

1-2.VTL405TJ / VTL425TJ



Super Slim Camera  
1EA



Instruction manual  
1EA



M6 Hex bolt  
2EA



Spring Washer  
2EA



Spring Washer  
2EA



Spring Washer  
2EA



1.5ØL-wrench  
1EA



Adaptor cable  
1EA



Warranty card  
1EA



BOYO Vitalis Tech America, Inc.		Product Registration	
Name _____	Company _____		
Address _____			
City _____	State _____	Zip _____	
Phone _____	Fax _____		
Model No. _____	Serial No. _____		
Approved Date _____	Date Name _____		
Signature of User _____			

Registration card  
1EA

---

## 2.Limited time warranty

---

Limited time warranty applies only if care instructions are followed regularly. In the event of defective product or workmanship, please return the item to place of purchase.

---

## 3.Care instructions

---

Periodically when the frames appearance need maintenance, please take following action to restore its original brilliant luster. Use non abrasive mild soap detergent and water only to clean.

---

## 4.Key Features

---

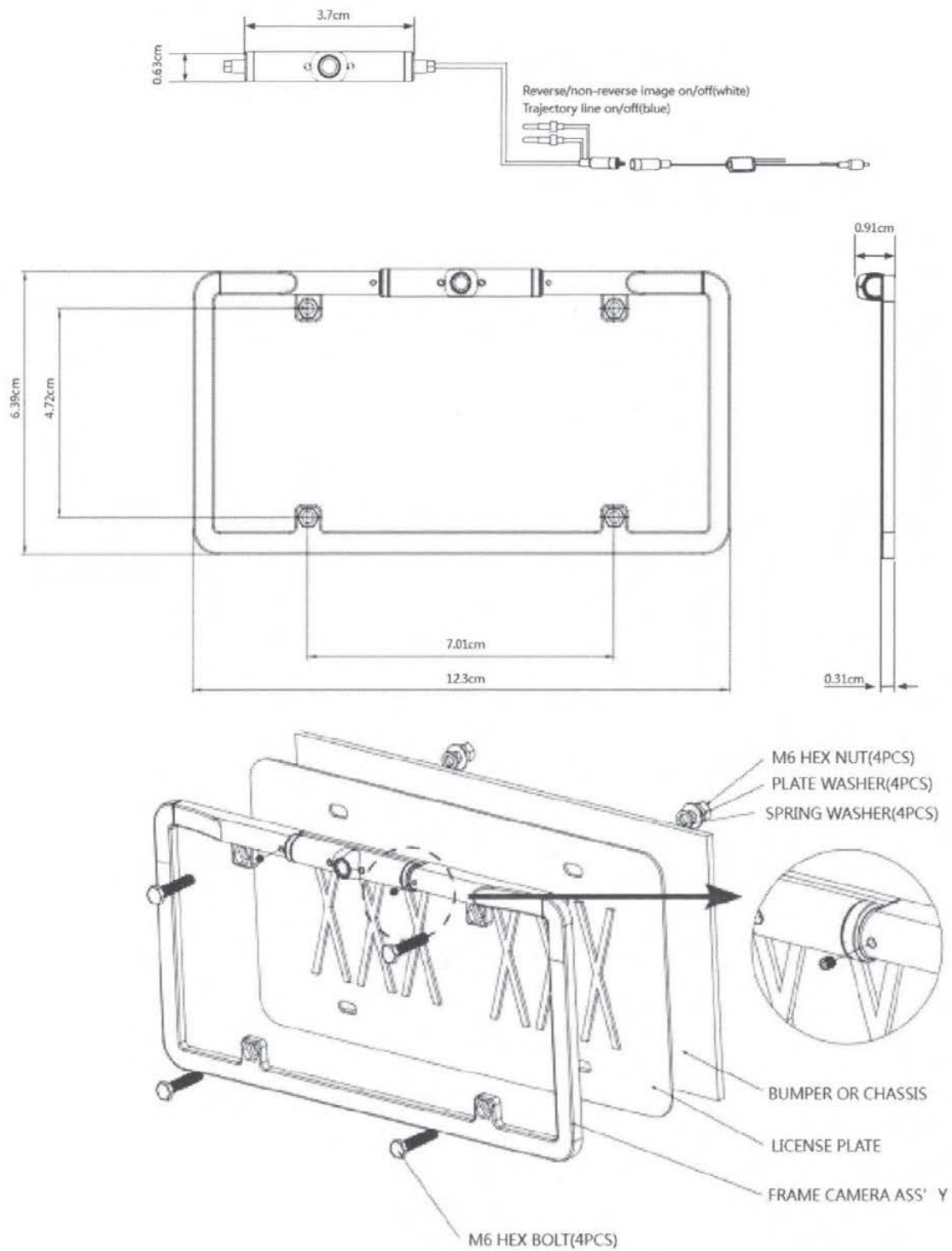
- 170°Wide viewing angle(D)
- 520 TVL Horizontal Resolution(VTL275TJ / VTL375TJ / VTL405 / VTL425TJ)
- Trajectory Parking lines
- Excellent Auto White Balance
- Waterproof(IP67)
- Parking lines on/off selectable
- Viewing angle adjustable up & down
- Reverse /Non-Reverse image selectable

### **\*Beautiful design & anti-scratch coating**

The camera design matches well with the products quality. It looks so elegant as much as the camera quality stands for. The unique face aims to best fit to the environment decorative to any place. It lasts its beautiful shape long time with scratch-free coating.

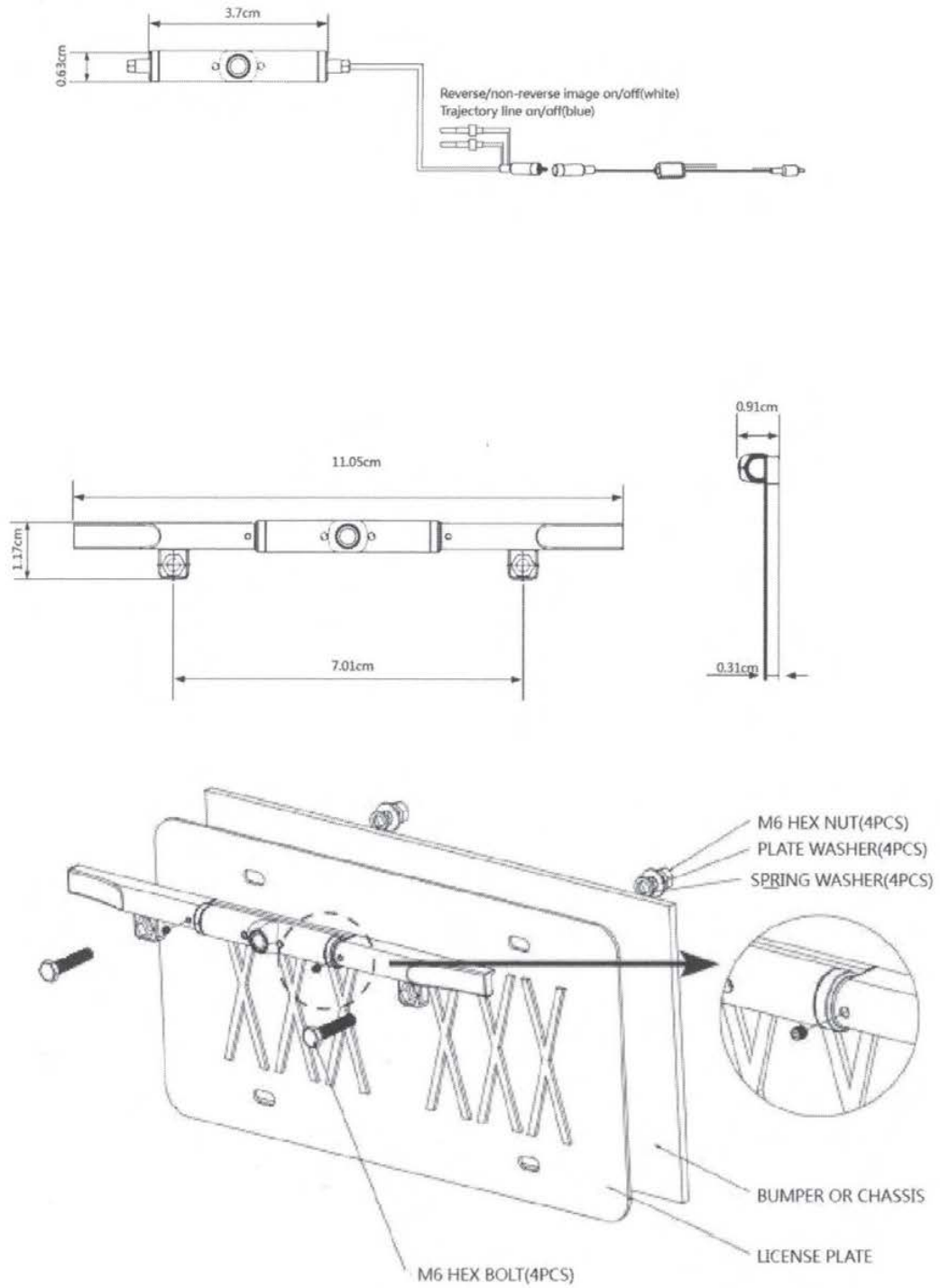
## 5.Dimension& Wiring

### 5-1.VTL275TJ / VTL375TJ



## 5.Dimension& Wiring

### 5-2.VTL405TJ / VTL425TJ



## 6.Specification

### 6-1.VTL275TJ / VTL375TJ / VTL405TJ / VTL425TJ

Description	Super Slim License Plate Camera
Effective Pixels	NTSC : 768(H)X494(V)
Horizontal resolution	520TV Lines
Total number of pixels	NTSC : 380K
Min.Illumination	0.1 Lux AT F2.0
Synchronizing system	Internal
Scanning system	Interlaced
Video output	1Vp-p 75 ohm composite
S/N Ratio	More than 50dB
Electronic iris	1/50.1/60-1/100,00sec
Smear effect	0.005%
Gamma correction	$\gamma=0.45$
White balance	Auto.2100*K - 9100*K
Gain control	Auto.4dB - 30dB
Lens mount	1.56mm Board lens (175°D )
MTBF	80,000 hours
Power source	Car Electric Source DC12V (Tolerance:9-16V) Built-in transient impulse protection circuit
Operating current	70mA w/regulated power in
Operating Temp.	-4°F~122°F ( -20°C~+60°C )
Storage Temp.	-40°F~176°F ( -40°C~+80°C )
Humidity	Up to 90% RH(non-condensing)
Measurement	Camera Size : 3.70(L)X0.63(D)(Camera)
Weight(Approx.g)	VTL275TJ,VTL375TJ:469.5g/VTL405TJ,VTL425TJ:259.5g



**BOYO<sup>®</sup>**  
VISION

**Vision Tech America, Inc.**  
**1452E.Valencia Dr,Fullerton,CA92831**  
**Ph:888-941-3060**

[www.visiontechamerica.com](http://www.visiontechamerica.com)



Do not display a direct view of the sun for long periods

- A burned image could remain on the screen.

## Vision Tech America, Inc.

### Limited One Year Warranty

To submit a request for warranty online, visit [www.visiontechamerica.com/site/get-warranty/](http://www.visiontechamerica.com/site/get-warranty/)  
This limited warranty is given to the end-user or the retail purchaser(referred to this warranty as Original Purchaser") that it will be free from defects in material and workmanship for a period of one year from the date of the purchase of the new product(excluding accessory items such as power cords, cradle, memory card, adaptor and cables). Customer will be responsible for freight charges incurred to return the product and will include a Cashier's Check or Money Order in the amount of \$15.00 for continental U.S. or \$30 for Hawaii, Alaska, Canada and Puerto Rico, Payable to VISION TECH AMERICA, INC. to cover return shipping and handling. **A copy of the original proof of purchase and this warranty card with RMA number given by Vision Tech America, Inc. is required to receive warranty service.** In the unlikely event that the new product should fail due to defect in material or workmanship, Vision Tech America, Inc. will repair or replace the entire product, where each party will be responsible for one-way shipping.

**This limited warranty does not cover** any physical damage to this product, damage caused by improper installation; improper use; misuse; neglect; repair of cracked, scratched, broken or modified cosmetics; or parts that have been altered or removed; damages done by another device used with this product resulting from use of non BOYO@- brand parts. This warranty is VOID if you purchased this product as used, floor model sample, or refurbished; if the product has been altered or modified in any way(including but not limited to attempted repair without authorization from BOYO@- Vision Tech America, Inc. and/or alteration/removal of the serial number). This limited warranty does not cover the vehicle of any damages or liabilities in which this product is installed or being installed. This product does not guarantee avoidance of vehicle collision or accident.

If you think your product is eligible for warranty service, report to Vision Tech America, Inc. at 888-941-3060 or email: [info@visiontechamerica.com](mailto:info@visiontechamerica.com) to receive an RMA Number with further instructions.

Model Number: \_\_\_\_\_

Name: \_\_\_\_\_

Serial Number: \_\_\_\_\_

Your address: \_\_\_\_\_

Date of Purchase: \_\_\_\_\_

City: \_\_\_\_\_

Purchased Store Name: \_\_\_\_\_

State: \_\_\_\_\_ Zip \_\_\_\_\_

RMA Number: \_\_\_\_\_

Country: \_\_\_\_\_

Important: To send defective product for warranty service, you must receive RMA(Return Material Authorization) and include original proof of purchase and this warranty card with the shipment.

**Limited One Year Warranty**

**Headquarters  
1452 E.Valencia Drive  
Fullerton,CA92831**

**Tel:888-941-3060  
Email:info@visiontechamerica.com**

**BOYO<sup>®</sup>**  
VISION

**Vision Tech America, Inc.**

Place  
Postage  
Stamp

**BOYO®**

Vision Tech America, Inc.  
1452 E. Valencia Drive  
Fullerton, CA 92831  
Tel:888-941-3060

**BOYO®**

## Product Registration

**Vision Tech America, Inc.**

Name \_\_\_\_\_ Company \_\_\_\_\_

Address \_\_\_\_\_

City \_\_\_\_\_ State \_\_\_\_\_ Zip \_\_\_\_\_

Phone \_\_\_\_\_ Email: \_\_\_\_\_

Model No. \_\_\_\_\_ Serial No. \_\_\_\_\_

Purchased Date \_\_\_\_\_ Store Name \_\_\_\_\_

City/State of Store \_\_\_\_\_