

## MMR-11W / MMR-11W-N2K

Wireless, NMEA 2000® Controller for MediaMaster®

### IMPORTANT

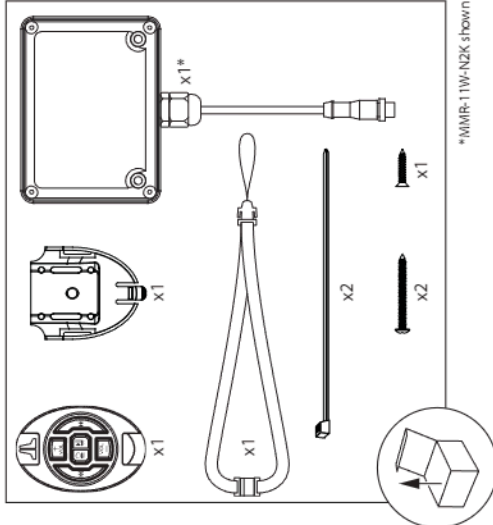
- Installation requires appropriate tools and safety equipment. Professional installation is recommended.
- This product is water-resistant. Do not submerge or subject to high-pressure water spray.
- Before installation, turn off the audio system and disconnect the battery system from the audio system.
- Before cutting or drilling, check for potential obstacles behind mounting surfaces.
- Do not mount this product in an engine compartment or other area of extreme heat.
- Mount this product securely to prevent damage or injury in severe conditions.

### FCC COMPLIANCE STATEMENT

This device complies with Part 15 of the FCC Rules. Operation is subject to the following two conditions: (1) this device may not cause harmful interference, and (2) this device must not accept any interference received, including interference that may cause undesired operation. These limits are designed to provide reasonable protection against harmful interference in a residential installation.

This equipment generates, uses and can radiate radio frequency energy and, if not installed in accordance with the instructions, may cause harmful interference to radio communications. However, there is no guarantee that interference will not occur in a particular installation. If this equipment does cause harmful interference to radio or television reception, the user is encouraged to try to correct the interference by one or more of the following measures:

- Reorient or relocate the receiving antenna.
  - Increase separation between the equipment and the receiver.
  - Connect the equipment to an outlet on a circuit different from that to which the receiver is connected.
  - Consult the dealer or an experienced radio/TV technician for help.
- Any changes or modifications not expressly approved by the party responsible for compliance could void the user's authority to operate this equipment.



\*MMR-11W-N2K shown

SKU# 011565 072921



### GENERAL CONTROL FUNCTIONS\*

	<ul style="list-style-type: none"> <li>• Long press to turn the source unit ON/OFF</li> <li>• Short press to advance through available sources</li> </ul>
	• Short press to mute/unmute or pause/resume audio
	<ul style="list-style-type: none"> <li>• Short press to increase volume</li> <li>• Long press to increase volume rapidly</li> </ul>
	<ul style="list-style-type: none"> <li>• Short press to decrease volume</li> <li>• Long press to decrease volume rapidly</li> </ul>
	• Short press to select the next track or stored Favorite
	• Long press to fast-forward audio
	<ul style="list-style-type: none"> <li>• Short press to restart track/select the previous track or stored Favorite</li> <li>• Long press to fast-rewind audio</li> </ul>

\*Some control functions will vary depending on the source unit and selected source.

### RECEIVER MODULE PROGRAMMING

Note: The transmitter and receiver included with the MMR-11W system are already paired.

Up to twenty (20) MMR-11W Remote transmitters may be paired to a single receiver module.

#### To Pair A New Transmitter (Required for MMR-11W-Remote)

1. Disconnect +12V power from your MediaMaster® by removing the 5-amp fuse from its fuse holder, unplugging its 4-pin power plug, or switching off its +12V supply circuit.
2. Reconnect +12V power to your MediaMaster®, then immediately press and hold both and buttons on the transmitter.
3. Continue holding both and buttons for 5 seconds, then release both buttons.
  - If successful, the status LED will flash rapidly with any button press.
  - If unsuccessful, the status LED will emit one short flash with any button press.
4. Repeat steps 1 to 3 to pair additional transmitters (up to ten total).

Note: This procedure must be completed within 15 seconds after reconnecting +12V power (step 2).

### LED SIGNAL CONFIRMATION

The MMR-11W transmitter is equipped with a green LED mounted between the and buttons. When any button is pressed, the LED will flash to report the status conditions below.

LED Behavior	Status
Rapid Flashing	Signal sent and received successfully
One Short Flash	Signal sent, but not received successfully Possible causes: out of operating range, low battery level or the receiver is not active (not powered)

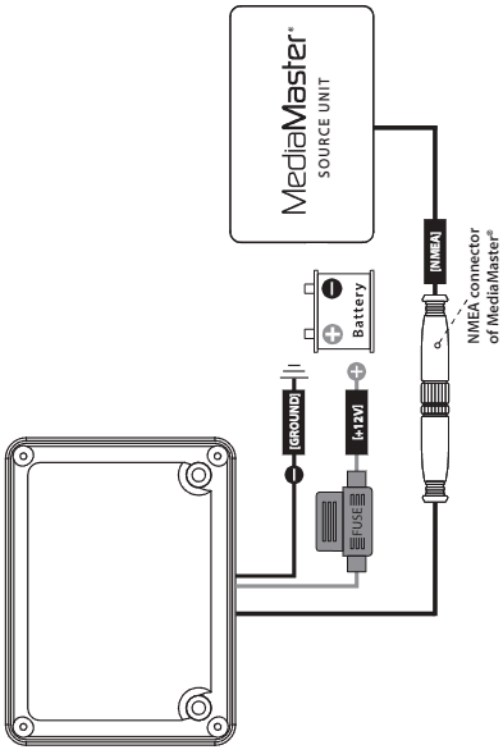
In case of misplaced transmitters, you may delete all remotes from the receiver module's memory. Note: All paired transmitters will stop working after deletion. Subsequent remote control functionality will require each transmitter to be paired with the receiver.

#### To Delete All Transmitters

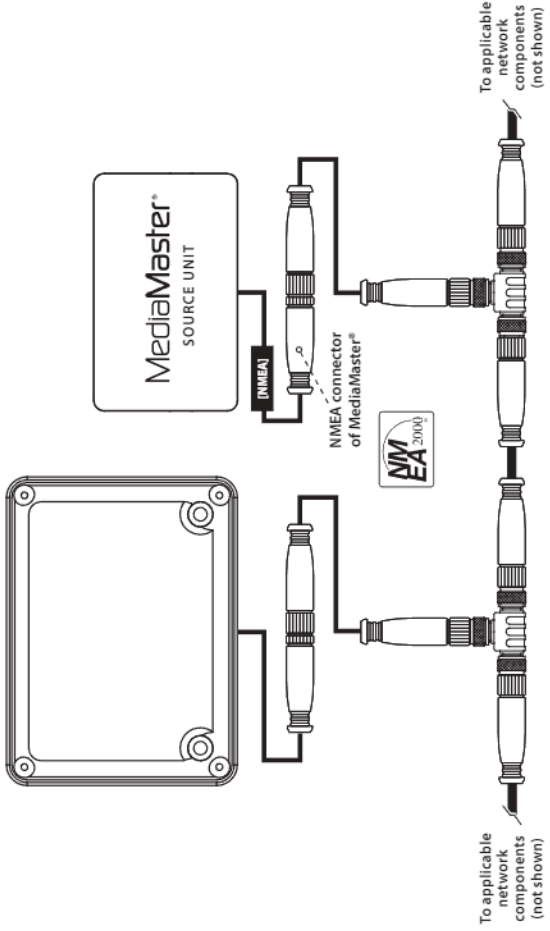
1. Disconnect +12V power from your MediaMaster® by removing the 5-amp fuse from its fuse holder, unplugging its 4-pin power plug, or switching off its +12V supply circuit.
2. Reconnect +12V power to your MediaMaster®, then immediately press and hold both and buttons on an existing (paired) transmitter.
  - +
3. Continue holding both and buttons for 5 seconds, then release both buttons.
  - If successful, the status LED will emit one short flash with any button press and the transmitter will no longer control your MediaMaster®.
  - If unsuccessful, the status LED will flash rapidly with any button press and the transmitter will still control your MediaMaster®.

Note: This procedure must be completed within 15 seconds after reconnecting +12V power (step 2).

### MMR-11W CONNECTION

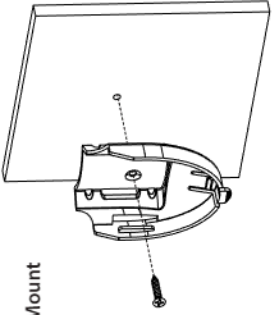


### MMR-11W-N2K CONNECTION

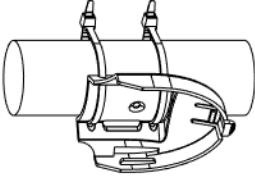


### REMOTE BASE MOUNTING OPTIONS

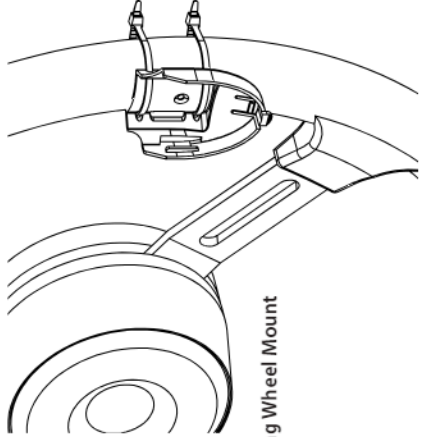
Panel Mount



Pipe/Tube Mount



Steering Wheel Mount



### Specifications

Operating Frequency	2.4 GHz
Operating Range*	Up to 150 ft. (45 m)
Operating Temperature	-4 °F to +167 °F (-20 °C to +75 °C)
Fuse Value	2 A (MMR-11W only)
NMEA 2000® LEN	2
IP Rating (Transmitter)	IP67
IP Rating (Receiver)	IP65
Transmitter Battery Type	CR2032
Dimensions (Transmitter)	2.99 in x 2 in x 1.07 in 76 mm x 50.8 mm x 27.2 mm
Dimensions (Receiver)	4.02 in x 3.01 in x 1.42 in 102.1 mm x 76.5 mm x 36.1 mm
* Maximum operating range will vary based on installation specifics and transmitter battery level.	

2-Year Limited Warranty (U.S.A.)  
Visit [www.jlaudio.com](http://www.jlaudio.com) for warranty details.

For Service Information in the U.S.A. please contact:  
JL Audio Customer Service: (954) 443-1100 (9:00 AM - 5:00 PM EST)  
JL Audio Technical Support: [www.jlaudio.com/support](http://www.jlaudio.com/support)

**International Warranties:**  
Products purchased outside the United States of America are covered only by that country's distributor and not by JL Audio, Inc.