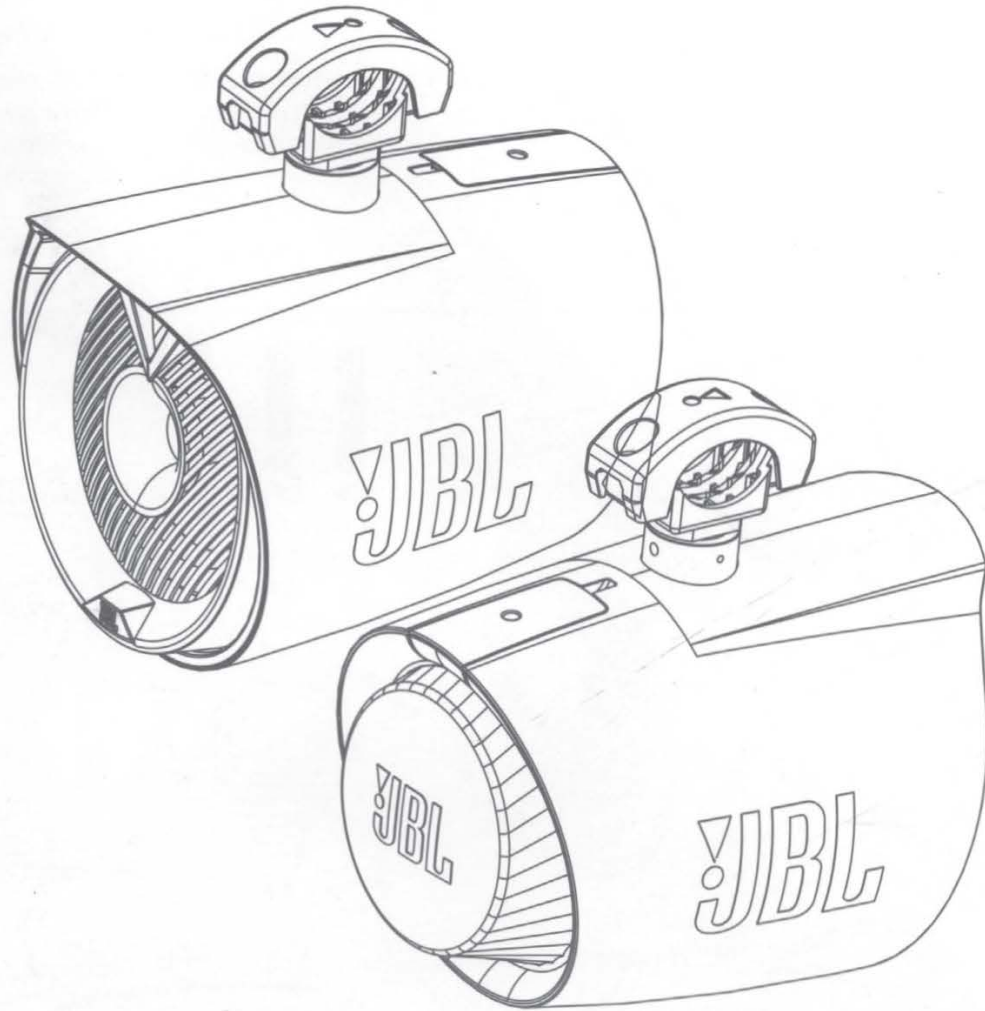




JBL TOWER X MARINE SPEAKER



JBL Tower X Marine Speaker Installation Guide

EN

Guide d'installation de l'enceinte marine JBL Tower X

FR

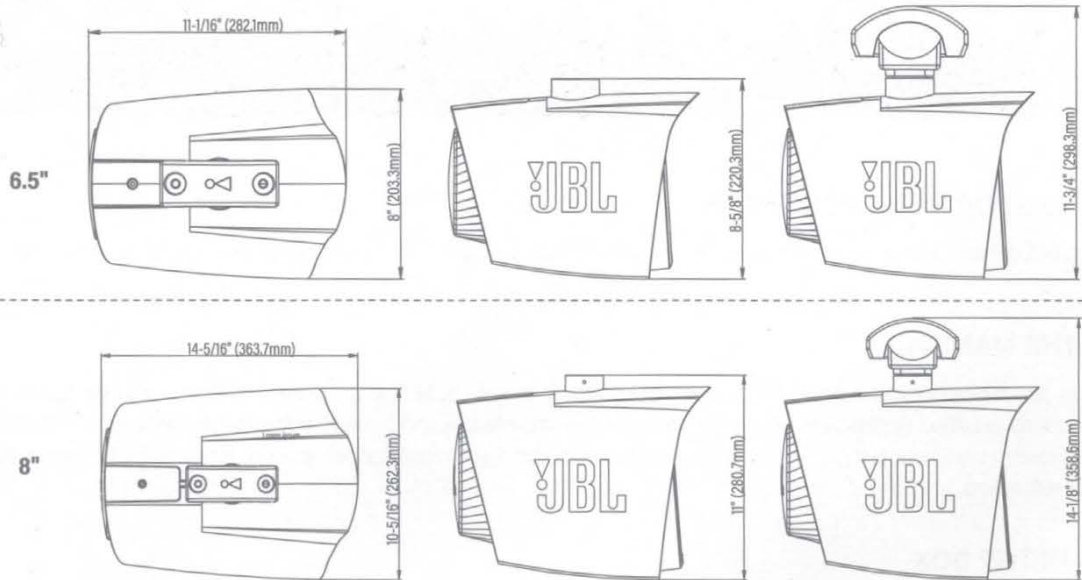
Guía de instalación del altavoz marino JBL Tower X

ES

JBL Tower X Marine 扬声器安装指南

CN

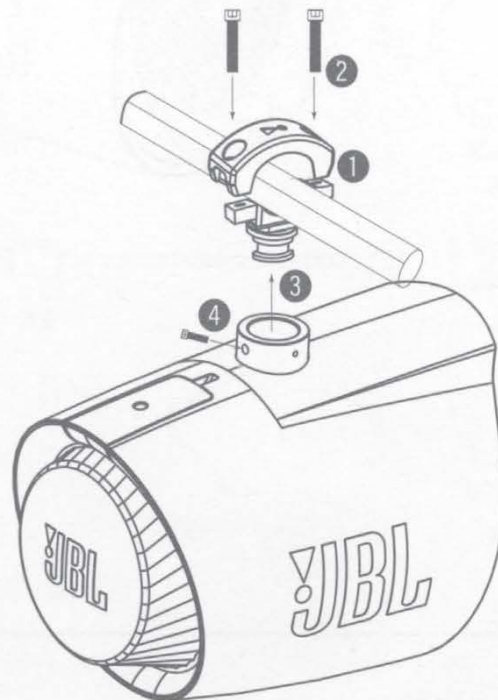
DIMENSIONS



Mounting the speaker

1. Place the clamp around the horizontal bar of the tower.
2. Use the included M8 bolts to secure the clamp; insert the bolts from the top and turn clockwise with the included hex key to tighten. For a secure fit, use the included rubber mats between the clamp and the bar.
3. Slide the speaker onto the clamp from below.
4. Secure the speaker onto the clamp using the included M6 bolt; insert the bolt into the hole at the back of the mounting sleeve and turn clockwise with the included hex key to tighten.

NOTE: Be sure to align the bottom of the clamp with the hole through which speaker and LED wires pass into the wake tower bar. Feed any remaining wire into the bar to prevent pinching.



EN

Swiveling the speaker

Loosen the mounting bolt. Swivel speaker to the desired angle (up to 360°). Tighten the bolt to secure in place.

Wiring the speakers

To access the speaker and LED wire terminals, remove the panel on the top of the speaker housing, behind the mounting bracket.

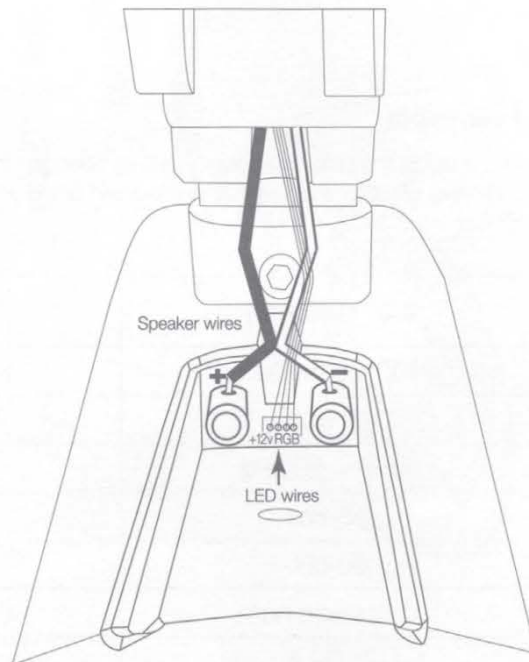
Speaker signal wiring

To send signal to the speaker, thread the speaker wire from the mounting bar through the lower half of the mounting bracket, then connect the positive (+) and negative (-) leads to the appropriate speaker terminal. Press the spring-loaded terminal in, insert the bare wire end into the slot, then release the terminal. Be sure to observe proper polarity.

Speaker LED wiring

To provide power for the LEDs, insert the LED wire plug into the LED terminal on the speaker housing, then thread the LED wires through the mounting bracket and into the mounting bar. Next, connect the 22-gauge black (+12V), red, blue, and green LED wires to your compatible 12-volt power source or light controller (sold separately). If using a separate controller, be sure to connect each wire to the proper output.

If hardwiring the LEDs directly to your power source, you can choose the color of the LEDs by connecting the black wire to the positive (+12V) terminal, and the appropriate R, G, and/or B single wire or combination of wires to the negative (-) terminal.



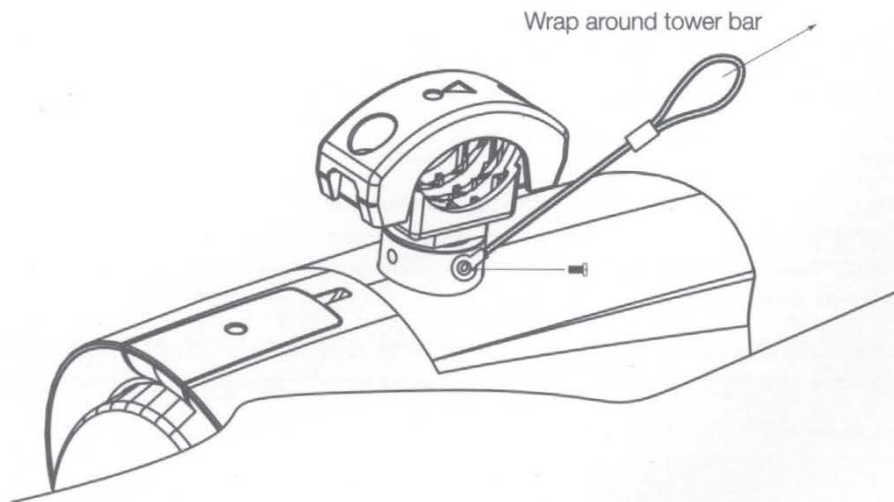
There are 7 possible colors, depending on the wiring configuration you choose:

Wire connected to positive (+12V) terminal	Wire connected to negative (-) terminal	Color produced
Black	Red	Red
	Green	Green
	Blue	Blue
	Red + Green	Yellow
	Red + Blue	Purple
	Blue + Green	Aquamarine
	Red + Blue + Green	White

EN

Attaching the safety strap

To keep the speaker from falling when adjusting it, use the included safety strap. Wrap the loop around the horizontal bar of the wake tower, then secure the strap to the speaker by threading the included hex screw through the strap's ring, and screwing it into the hole on the side of the mounting sleeve.



Protecting your speaker from the elements

When not in use, you can protect your speaker using the included neoprene bag. Slide the bag over the speaker, and close the zipper to secure in place. You can use the bag whether the speaker is mounted or unmounted.

Specifications	6.5" (165mm)	8" (200mm)
Continuous power handling	100 watts RMS	150 watts RMS
Peak power handling	300 watts	450 watts
Frequency response	50 Hz – 20 kHz	40 Hz – 20 kHz
Nominal impedance	4 ohms	4 ohms
Sensitivity @ 2.83V	90 dB	92 dB
Tweeter	1" titanium horn	1" titanium horn
Voice coil diameter	1-1/2" (38.5mm)	1-1/2" (38.5mm)
Adjustable bar diameter	1-3/4" (44.5mm) – 3" (76.2mm)	1-3/4" (44.5mm) – 3" (76.2mm)

EN



HARMAN International Industries,
Incorporated 8500 Balboa Boulevard,
Northridge, CA 91329 USA
www.jbl.com

© 2018 HARMAN International Industries, Incorporated. All rights reserved.
JBL is a trademark of HARMAN International Industries, Incorporated,
registered in the United States and/or other countries. Features, specifications
and appearance are subject to change without notice.

