



MXA300.2
300 WATT 2-CH AMPLIFIER

MEMPHIS



ENGINEERED TO RESIST
WATER & ELEMENTS



MXA

MEMPHIS XTREME AUDIO

Memphis Xtreme Audio amplifiers were designed to withstand water and the elements. These amplifiers are IP66 certified for water resistance making them a perfect solution for powersports and marine situations. The compact chassis allows these amps to fit virtually anywhere allowing them to be used in a variety of ways.

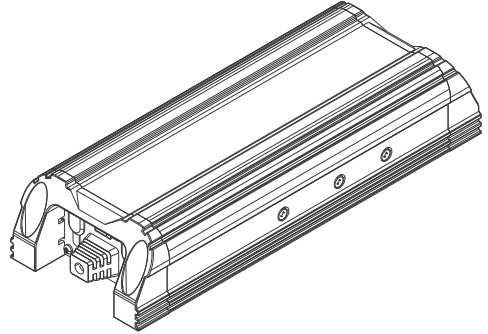
FEATURES

- Sealed chassis for water protection in extreme environments
- Ultra-efficient full range class D operation
- High and low level inputs - connects with any system
- Built in crossover for maximum flexibility
- 2-Channel Input
- Durable stainless steel & aluminum hardware

SPECIFICATIONS

RMS Power 4Ω (w)	115 x 2
RMS Power 2Ω (w)	150 x 2
THD % 4Ω	<1%
Frequency Response	20Hz - 20kHz
Dimensions (in)	3.25 x 1.75 x 8.6
Recommended Amp Kit	17-10GKIT

- IP66 Water resistant
- High/Low Level inputs
- Sealed Connectors
- Compact footprint

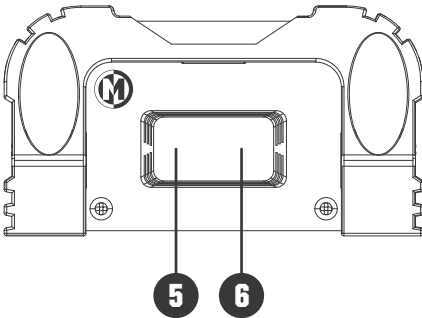
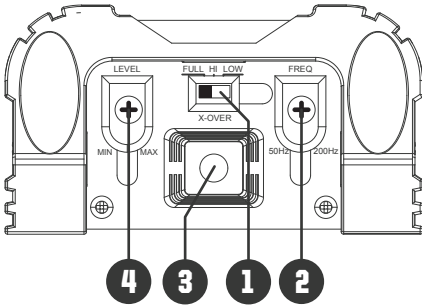


ENGINEERED TO RESIST
WATER & ELEMENTS



MXA

CONTROLS / FUNCTIONS



- 1 LOW PASS FILTER / FULL / HIGH PASS FILTER**
Select between low pass or high pass filter
- 2 Frequency Settings**
Rotate dial to adjust FREQ 50Hz - 200Hz
- 3 LOW (RCA) HIGH LEVEL INPUT**
- 4 GAIN SETTING**
Rotate dial to adjust. Set gain to minimum before connecting high input and then adjust gain to your ideal range.
- 5 POWER INPUT CABLE**
Yellow: +12V Black: Ground Blue: Remote In
+12V and ground each have two wires. Please connect both pairs of wire to +12V and Ground
- 6 SPEAKER OUTPUT CABLE**
White: Front Output Left (+)
White/Black: Front Output Left (-)
Gray: Front Output Right (+)
Gray/ Black: Front Output Right (-)



ENGINEERED TO RESIST
WATER & ELEMENTS

INSTALLATION INFORMATION

Memphis Audio recommends the installation of our products to be performed by an Authorized dealer. Attempting an installation project on your own or through an unauthorized source may result in damage to your products and may potentially void your warranty.

MXA amplifiers can be mounted in a numerous locations, we typically recommend mounting them away from the elements. We recommend mounting them in an area that avoids direct contact with water. A proper mounting location will also allow for adequate ventilation allowing heat to dissipate.

WARNING

For your safety, always inspect the mounting location carefully to ensure you are not drilling into any electrical, hydraulic, fuel or fluid lines. Always check your speaker load with a multi-meter before connecting the amplifier. Connecting any speaker load lower than the rated impedance of the amplifier will result in damage to the amplifier. Damage of this nature is NOT covered under warranty. Please pay close attention to what connections are made to the amplifier.



TIP If you are uncertain or uncomfortable proceeding with your installation, please contact your local Authorized Memphis Audio Dealer

TROUBLESHOOTING

When troubleshooting your amp, speaker and speaker wires should be tested first

NO OUTPUT

- Confirm all wiring is firmly connected. Both +12V and REM terminals must have +12 Volts present and GND must be connected to chassis' ground or to the negative battery terminal.
- Confirm the signal source is connected and supplying an output signal. To confirm the amp is working, connect an RCA patch cord to the line inputs of the amplifier (do not connect the other end of the patch cord). Briefly tap the center pin of each disconnected RCA with your finger. This should produce a noise (brief static or hum) in the speakers.
- If the amp is hot, check the speaker impedance or load. The total minimum impedance of all speakers should not be lower than the rating of the amp

WEAK OUTPUT

- Check gain control adjustment
- Check speaker impedance.

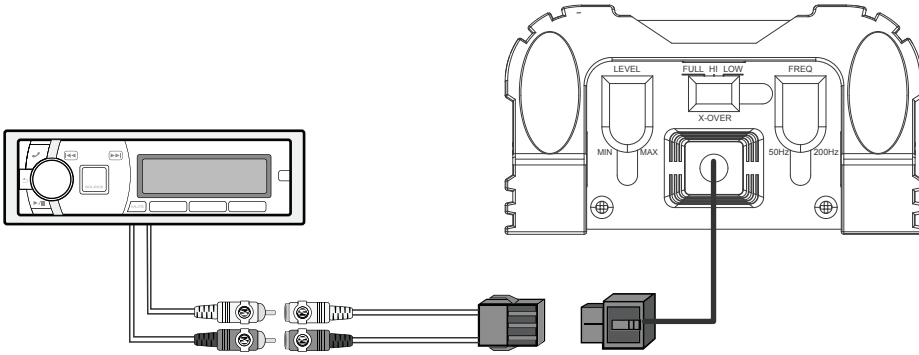
UNWANTED NOISE

- Whine that increases and decreases with engine speed - confirm the Amp & Source unit are grounded properly.
- Clicking or popping noise at a rate that follows engine speed - this is often induced by the vehicles ignition system. Confirm that the vehicle is equipped with resistor spark plugs and wires. The ignition system may need service.
- Noise can be caused by routing speaker input wires too close to the light wires and other accessory wires in the vehicle. Re-route wires to avoid unwanted interference.
- If above steps do not improve/reduce noise, the system should be checked by a professional audio installer at a Memphis Authorized Dealer.

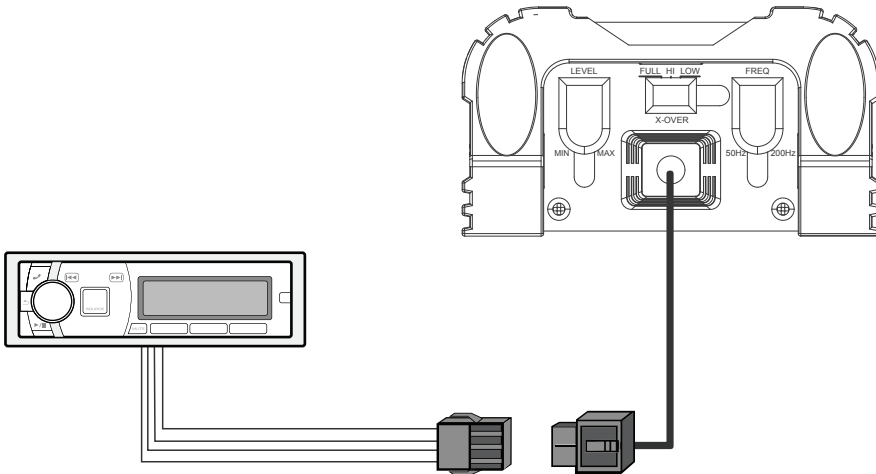


ENGINEERED TO RESIST
WATER & ELEMENTS

LOW LEVEL INPUT WIRING

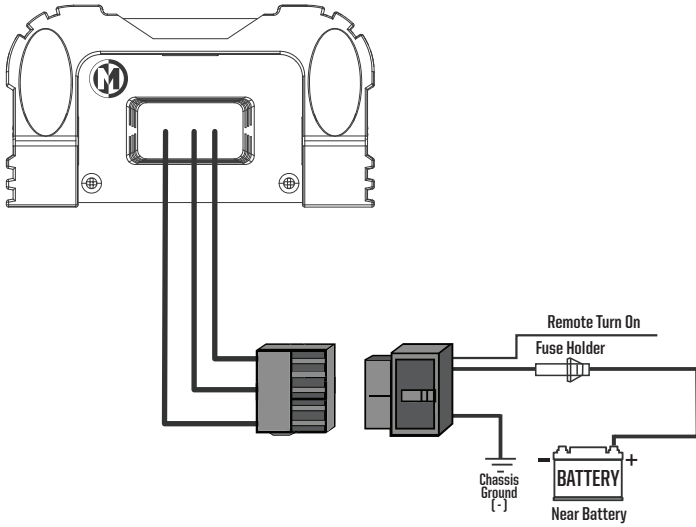


HIGH LEVEL INPUT WIRING

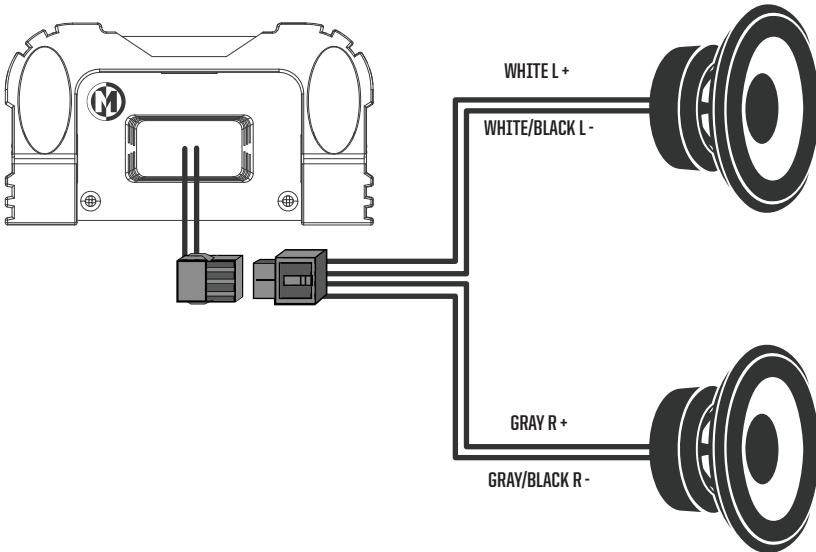


ENGINEERED TO RESIST
WATER & ELEMENTS

POWER INPUT WIRING



SPEAKER OUTPUT WIRING



ENGINEERED TO RESIST
WATER & ELEMENTS

WARRANTY

This product has a two year warranty from the date of purchase for defects in material or workmanship. This warranty will be extended to 3 years when installed by a Memphis authorized dealer using Memphis Connection products. The warranty is void if the product has been physically damaged by improper usage or abuse. If repairs are attempted outside of a Memphis Audio facility, the warranty is void.

This warranty is limited to the original retail purchaser and does not cover any expenses incurred in the removal or re-installation of the product. This warranty does NOT apply to product exterior and cosmetics. Memphis Audio disclaims any liability for incidental or consequential damages caused by product defects. Memphis Audio liability will not exceed the purchase price of the product and the warranty period specified.

What is NOT covered under warranty

- Damage due to improper installation
- Damage caused by exposure to moisture, excessive heat, chemical cleaners and/or UV radiation
- Damage through negligence, misuse, accident or abuse. (Repeated returns for the same damage may be abuse)
- Product damaged in accident and/or due to criminal activity
- Service performed by anyone other than Memphis Audio
- Subsequent damage to other components
- Any cost or expense related to the removal or re-installation of product
- Products with tampered, missing, altered or defaced serial numbers/labels
- Freight damage
- The cost of shipping product to Memphis Audio
- Return shipping on non-defective items
- Any product not purchased from an authorized Memphis Audio dealer

Some states do not allow the exclusion or limitation of incidental or consequential damages. The above limitations or exclusions may not apply to you. This warranty gives you specific rights, you may have other rights which vary from state to state.

If warranty service is required, a return authorization number is required to return the product to Memphis Audio. Warranty shipments to Memphis Audio are the responsibility of the purchaser. Pack the product carefully in the original carton if possible. Memphis Audio will not be responsible for damages incurred in shipment or due to improper packaging materials used by the purchaser.

If determined to be within warranty your product will be repaired or replaced at the discretion of Memphis Audio.



ENGINEERED TO RESIST
WATER & ELEMENTS



CONTACT US

122 GAYOSO AVE, MEMPHIS, TN. 38101

TECH SUPPORT: 800.489.2300

WWW.MEMPHISCARAUDIO.COM

 @MEMPHISCARAUDIOUSA

 @MEMPHISCARAUDIO

#MEMPHISAUDIO