

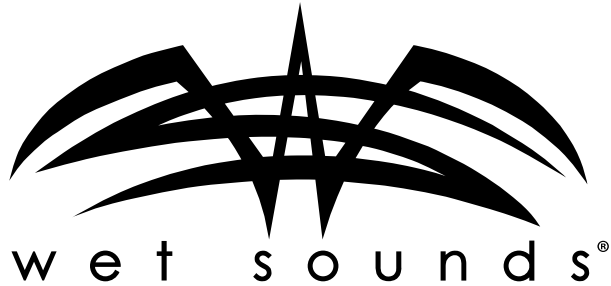


REV 10/12 HD

HLCD Tower Speakers

Owner's Manual





Congratulations!

Thank you for choosing this Wet Sounds product!

Wet Sounds' products embody the ultimate in high performance standards. Utilizing state of the art acoustic engineering and three-dimensional computer aided design, our "Revolution Technology" represents the most advanced technologies available for tower speaker systems. Revolution series speakers are specially engineered to withstand rigorous environments while providing multiple fitment options from direct cast and fixed clamp mounts, to our patented stainless steel TC3 Quick Disconnect Swivel clamp.

The REV 10 HD and REV 12 HD Horn Loaded Compression Driver (HLCD) Tower Speakers have been optimized with audio clarity and high performance at their core. They both feature a Pro-Axial HLCD driver paired with an advanced polymer composite cone for audio clarity and durability. The thermoformed Santoprene™ rubber surround matched with the injection molded reinforced enclosure ensure optimal listening in any marine setting. The integrated RGB lighting rings and badge add the style for which Wet Sounds™ is synonymous. The REV 10 HD and REV 12 HD both feature multiple grille options, several mounting choices, and are available in white or black to fit your style and taste.

Please take a moment to read the instruction manual before starting your installation. This guide will explain the benefits of the technologies developed by Wet Sounds™ and will help you understand the correct installation methods and use of this product. If you have any questions or concerns, please contact a certified Wet Sounds™ dealer. You may also contact Wet Sounds™ technical support by dialing 1-877-WET-SPKR (1-877-938-7757).

Table of Contents

Please take a moment to look over this instruction manual before enjoying the product.

Technology Specifications	3
Grilles, Clamps, Adapters	4
Install Guide ADP TC3-F (Fixed Clamp)	5-6
Install Guide ADP TC3-S (Swivel Clamp)	7-8
Install Guide ADP TC3-SXM (Swivel Surface Mount)	9-10
Install Guide ADP REV HD X (X Mount)	11-12
RGB Wiring	13
Limited Warranty	14

Technology Specifications

SPEAKER SPECIFICATIONS REV 10 HD

RMS: 300 watts

Peak: 600 watts

Impedance: 4 ohms

Frequency Response: 66Hz to 20 kHz

Sensitivity: 90.9 DB at 1W/m

Voice Coil: 2"

Pod Diameter: 10.83"

Pod Length: 13.16"

Weight: 14.33 lbs

Pro-Axial™ HLCD Driver with Advanced Polymer Composite Cone

Thermoformed Santoprene Rubber Surround

Integrated RGB Lighting Rings and Badge

SPEAKER SPECIFICATIONS REV 12 HD

RMS: 400 watts

Peak: 800 watts

Impedance: 4 ohms

Frequency Response: 58Hz to 20 kHz

Sensitivity: 91.0 DB at 1W/1M

Voice Coil: 2.5"

Pod Diameter: 11.93"

Pod Length: 14.31"

Weight: 19.84 lbs

Pro-Axial™ HLCD Driver with Advanced Polymer Composite Cone

Thermoformed Santoprene Rubber Surround

Integrated RGB Lighting Rings and Badge

Grille Options

REV 10 HD Available Grille Styles:

REV 10 HD XS-B Grille

REV 10 HD XS-W Grille

REV 10 HD XW-B Grille

REV 10 HD XW-W Grille

REV 10 HD XZ-B Grille

REV 10 HD XZ-W Grille

REV 12 HD Available Grille Styles:

REV 12 HD XS-B Grille

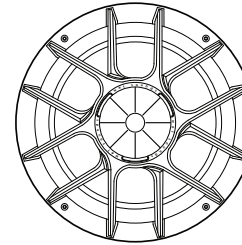
REV 12 HD XS-W Grille

REV 12 HD XW-B Grille

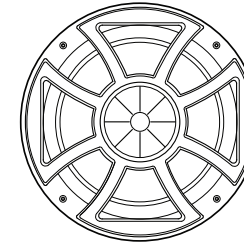
REV 12 HD XW-W Grille

REV 12 HD XZ-B Grille

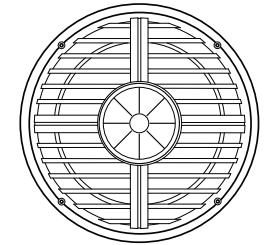
REV 12 HD XZ-W Grille



XZ Grille



XS Grille



XW Grille

Accessories

Available Tower Clamp Styles:

ADP TC3-S

ADP TC3-S MINI

ADP TC3-F

ADP TC3-F MINI

ADP TC3-SXM

ADP TC3-f-SILVER

ADP REV HD X-B

ADP REV HD X-W

Available RGB Accessories:

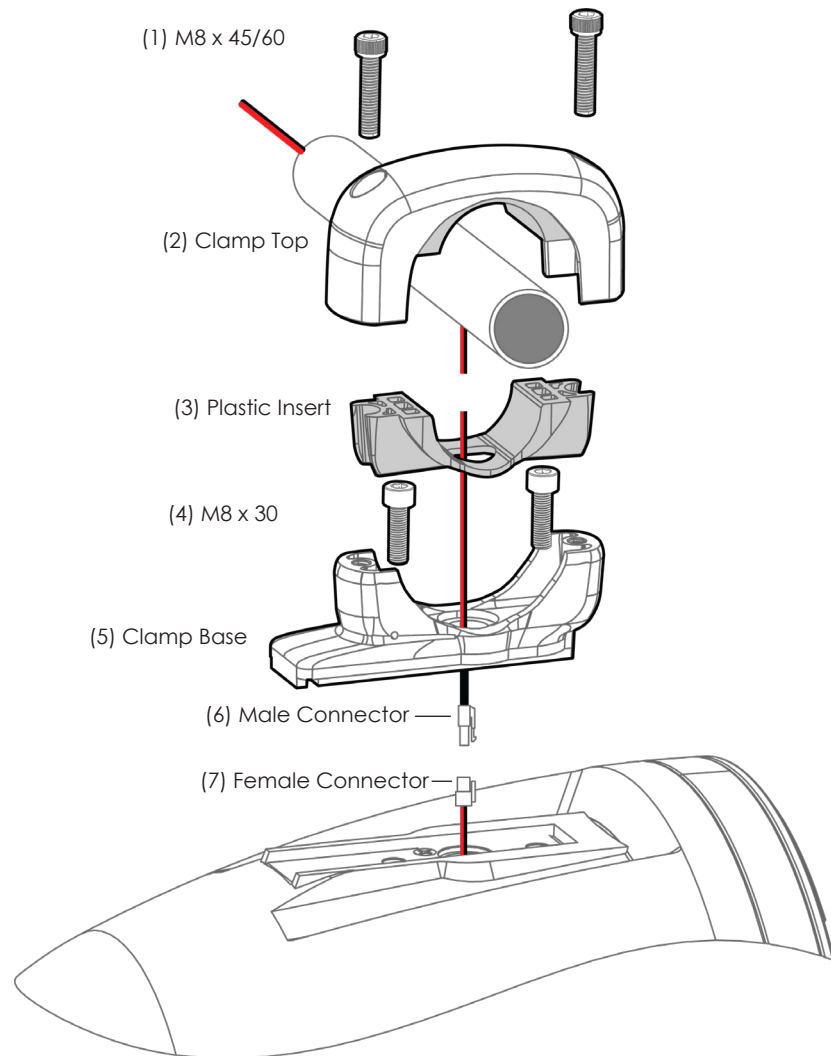
ADP TC3-S 6-PIN (Swivel Plug)

RF-RGB-MC V2 (RGB Controller)

WWX-RGB-RS (RGB Controller)

Installation Specifications

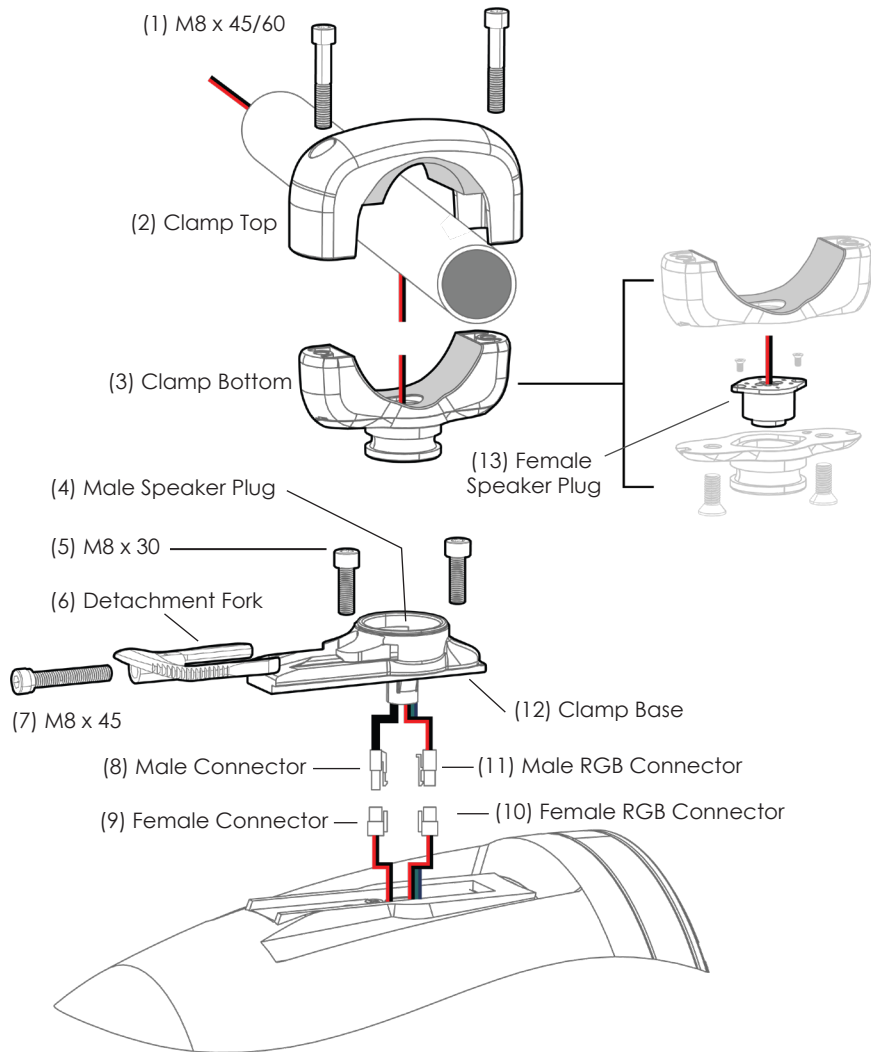
ADP TC3-F | Fixed Clamp (tube diameter 1 7/8" to 3")



- Step 1: Attach Male Connector (6) from clamp base to Female Connector (7)
- Step 2: Remove the plastic insert (3) from the clamp base (5).
- Step 3: **(Optional Step)** If you use the RGB lighting function on a fixed clamp application, drill a small hole in the seal point of the clamp base (5) to run the RGB wires from the pod to the tower. Take care not to damage the speaker wires when you drill through the seal. Seal this point with silicon after running the wires through. (This will require removing the four-pin connector end from the RGB wires as this will not be used in this application.)
- Step 4: Push all wires and connectors into the pod's center hole as you place the clamp base (5) onto the speaker pod.
- Step 5: Attach two M8 x 30 bolts (4) through the clamp base (5) and tighten them into the pod. Please make sure these are tight. We recommend using threadlocker on these bolts.
- Step 6: Place the plastic insert (3) back onto the clamp base (5).
- Step 7: Find a mounting location for the speaker and clamp, and mark the pipe where the speaker wire will pass through.
- Step 8: Drill a small hole in the pipe where marked and deburr the hole, so there are no sharp edges. We recommend installing a rubber grommet in this hole to protect the wire.
- Step 9: **(Recommended to be done by two people)** Butt connect the speaker wire from the tower to the speaker wire from the clamp base (5). Red is positive, and black is negative. If using the RGB Lighting Function, reference the RGB wiring diagram for RGB color options.
- Step 10: Push wires into the center hole back into the tower and Attach the clamp top (2) to the clamp base (5) using two M8 x 45 or M8 x 60 bolts (1) depending on pipe diameter. Tighten the Allen bolts until there is no movement.

Installation Specifications

ADP TC3-S | Swivel Clamp (tube diameter 1 7/8" to 3")

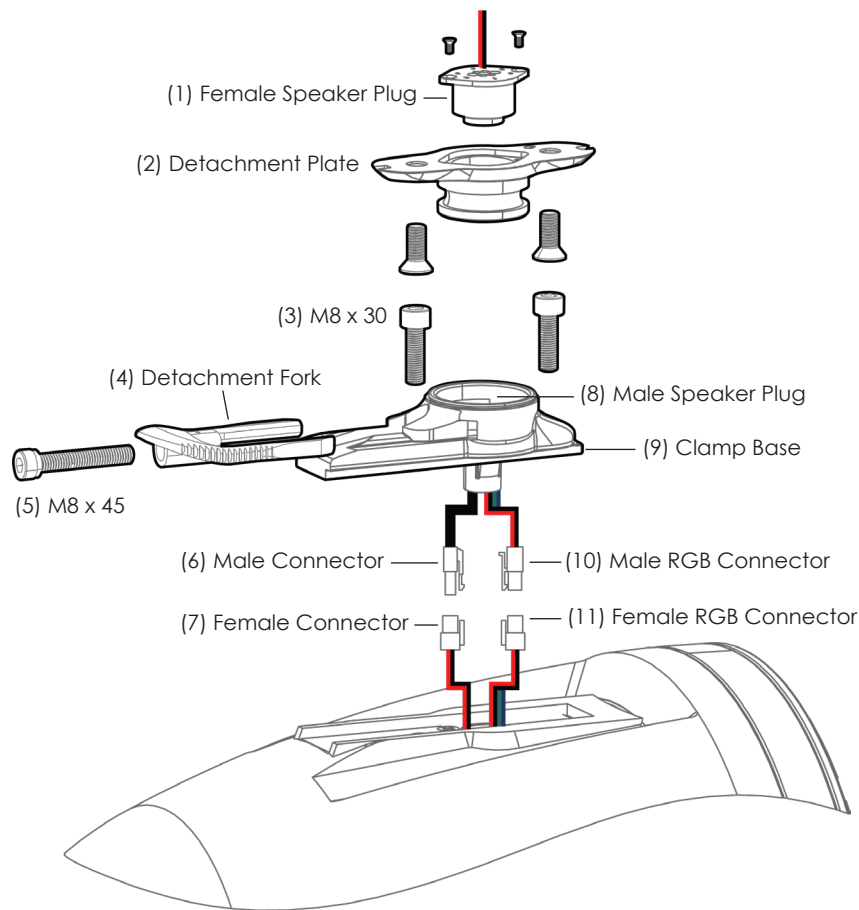


- Step 1: Attach Male Connector (8) from clamp base to Female Connector (9)
- Step 2: **(Optional Step)** If you use the RGB Lighting function, you will need to add the optional six-pin female speaker plug (13) (Part# ADP TC3-S 6-PIN) to the clamp. Once installed, connect the male four-pin RGB connector (11) to the female four-pin RGB connector (10).
- Step 3: Push all wires and connectors into the pod's center hole as you place the clamp base (12) onto the speaker pod.
- Step 4: Attach two M8 x 30 bolts (5) through the clamp base (12) and tighten them into the pod. Please make sure these are tight. We recommend using threadlocker on these bolts.
- Step 5: Separate the clamp base (12) and the clamp bottom (3) by removing the M8 x 45 bolt (7) and the detachment fork (6) to make the install easier.
- Step 6: Find a mounting location for the speaker and clamp, and mark the pipe where the speaker wire will pass through
- Step 7: Drill a small hole in the pipe where marked and deburr the hole, so there are no sharp edges. We recommend installing a rubber grommet in this hole to protect the wire.
- Step 8: Butt connect the speaker wire from the tower to the speaker wire from the clamp bottom (3). Red is positive, and black is negative. If using the RGB Lighting Function, reference the RGB wiring diagram for RGB color options.
- Step 9: Push wires into the center hole back into the tower and attach the clamp top (2) to the clamp bottom (3) using the two M8 x 45 or M8 x 60 bolts (1) depending on pipe diameter. Tighten the Allen bolts until there is no movement.
- Step 10: **(Recommended to be done by two people)** Insert clamp base with pod onto clamp bottom. Please make sure the male and female speaker plugs line up properly. The male speaker plug (4) inside the clamp base can rotate. Please rotate this so that it is facing the proper direction. A U-shaped groove on the female connector lines up with a boss of the male connector.
- Step 11: The swivel clamp allows the speaker to rotate in any direction. Slide detachment fork (6) and M8 x 45 bolt (7) onto the clamp base (12). Tighten the Allen bolt, so the speaker does not move.

***Quick Release:** **(Recommended to be done by two people)** Loosen the M8x45 bolt (7) and remove the detachment fork (6) for quick speaker pod release. Once removed, the clamp base and pod will disconnect from the clamp bottom. To reinstall, make sure the male and female speaker plugs line up correctly and insert the speaker. Once connected, reinstall the detachment fork.

Installation Specifications

ADP TC3-SXM | Swivel Surface Mount (no clamp)

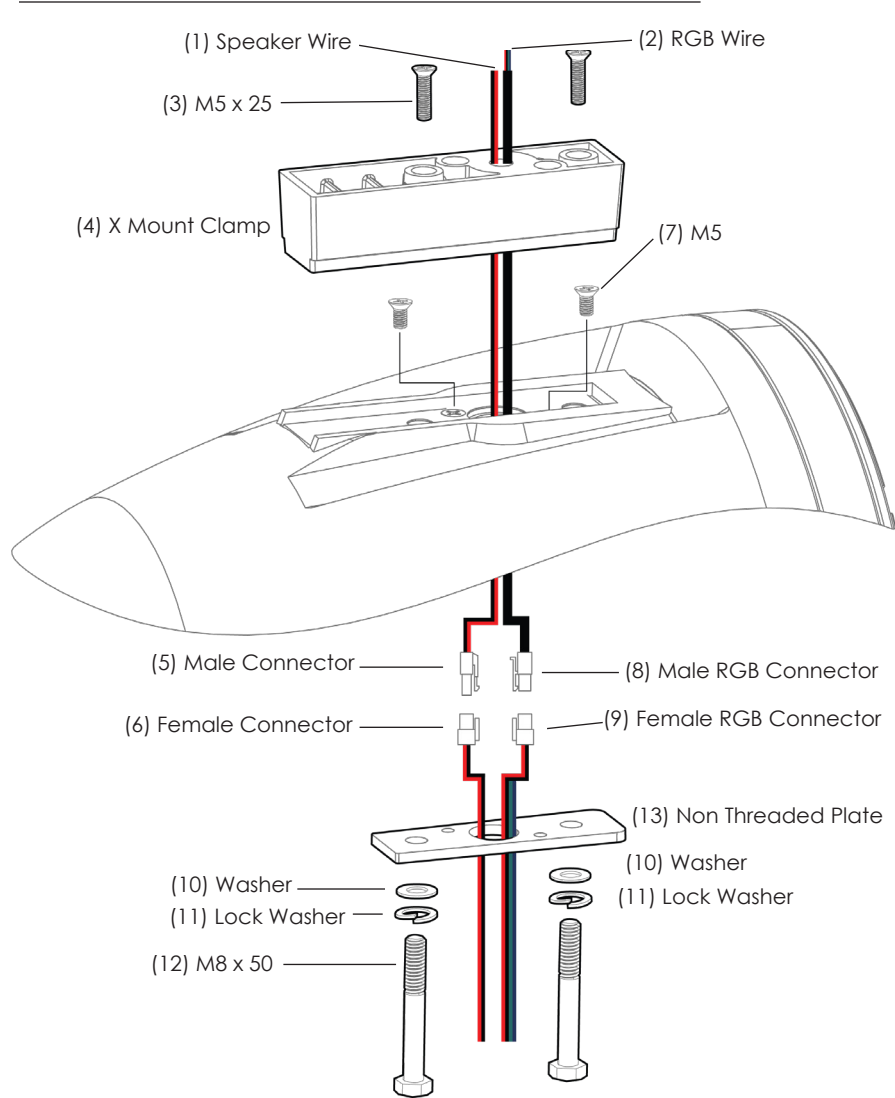


- Step 1: Attach Male Connector (6) from clamp base to Female Connector (7)
- Step 2: **(Optional Step)** If you use the RGB Lighting function, you will need to add the optional six-pin female speaker plug (1) (Part# ADP TC3-S 6-PIN) to the clamp. Once installed, connect the male four-pin RGB connector (10) to the female four-pin RGB connector (11).
- Step 3: Push all wires and connectors into the pod's center hole as you place the clamp base onto the speaker pod.
- Step 4: Attach two M8x30 bolts (3) through the clamp base and tighten them into the pod. Please make sure these are tight. We recommend using threadlocker on these bolts.
- Step 5: Separate the clamp base (9) and the detachment plate (2) by removing the M8 x 45 bolt (5) and the detachment fork (4) to make the install easier. Now you can mount the detachment plate to the tower without holding the entire speaker in place.
- Step 6: The detachment plate (2) will be hard mounted to a cast tower. Butt connect speaker wires from the female speaker plug (1) to the speaker wires from the tower. Red is speaker positive, and Black is speaker negative. If using the RGB Lighting Function, reference the RGB wiring diagram for RGB color options.
- Step 7: Push wires into the center hole back into the tower and attach the detachment plate to the tower.
- Step 8: **(Recommended to be done by two people)** Insert clamp base (9) with pod onto detachment plate(2). Please make sure the male and female speaker plugs line up properly. The male speaker plug (8) inside the clamp base can rotate. Please rotate this so that it is facing the proper direction. A U-shaped groove on the female connector (7) lines up with a boss of the male connector (6).
- Step 9: The swivel clamp allows the speaker to rotate in any direction. Slide detachment fork (4) and M8 x 45 bolt (5) onto the clamp base (9). Tighten the Allen bolt, so the speaker does not move.

***Quick Release: (Recommended to be done by two people)** Loosen the M8 x 45 bolt (5) and remove the detachment fork (4) for quick speaker pod release. Once removed, the clamp base (9) and pod will disconnect from the detachment plate (2). To reinstall, make sure the male and female speaker plugs line up correctly and insert the speaker. Once connected, reinstall the detachment fork.

Installation Specifications

ADP REV HD X | X Mount kit



Step 1: Start by removing the four screws holding the grille in place on the speaker pod. Remove the four screws holding the RGB ring in place. Lastly, remove the four screws holding the speaker onto the housing, and disconnect the speaker wires from the pod to remove the speaker.

Step 2: Remove two M5 screws (7) from the top of the pod next to grommet. Removing the screws will loosen the threaded plate inside the pod.

Step 3: Slide out the threaded plate inside the pod and replace it with the non-threaded plate (13) provided in the X Mount kit. Install it in the same direction as the threaded plate, so the screw holes line up.

Step 4: Push all wires and connectors from the X Mount (4) into the pod's center hole, and attach it onto the pod using two M5 x 25 screws (3) provided in the X mount kit.

Step 5: **(Recommended to be done by two people)** Butt connect the speaker wire from the tower to the speaker wire (1) from the X Mount (4). Red is positive, and black is negative. If using the RGB Lighting Function, reference the RGB wiring diagram for RGB color options.

Step 6: Push wires into the center hole back into the tower.

Step 7: Take two M8 x 50 bolts (12) using a washer (10) and lock washer (11) and bolt the pod up to the tower. Please make sure that these bolts are tight. We recommend using threadlocker on these bolts. Some applications only need a single lock washer and a single regular washer. If the bolt bottoms out, extras are provided in the X Mount kit to help tighten the pod.

Step 8: Some tower adapters do not have a seal. Apply silicon around the wires to prevent water from entering the tower speaker. (If the holes on the X Mount do not line up with the factory threaded inserts, please contact Wet Sounds at (877)-938-7757 for advice.)

Step 9: Connect the male four-pin RGB connector (8) to the female four-pin RGB connector (9).

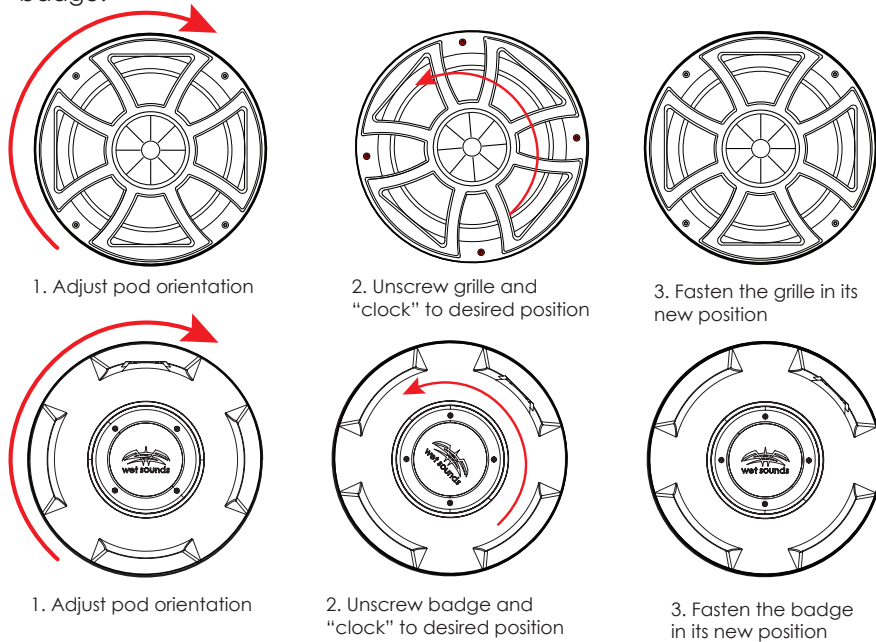
Step 10: **(Recommended to be done by two people)** Reconnect the speaker by attaching the male speaker connector (5) from the X mount to the female speaker connector (6), and reinsert the speaker to the pod (ensure the notch on the speaker aligns with the RGB wire going into the pod).

Step 11: Fasten the speaker with the screws set aside earlier. Place screws in the same location they were in prior.

Step 12: Reattach the RGB ring and grille using the screws that were set aside. Please make sure these are tight but do not over tighten.

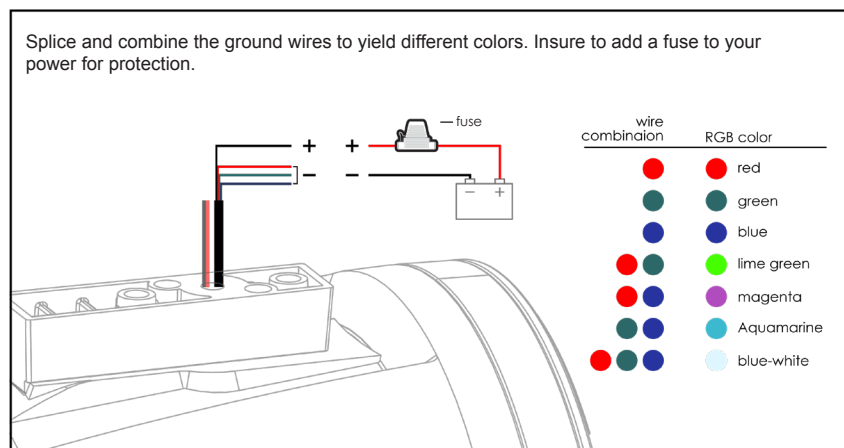
Grille/Badge Alignment

Each LED ring on each pod has an arrangement of screw holes around the ring to be able to "Clock" the Grille's position once POD orientation is determined. The same goes with the rear LED badge.



RGB Wiring

For sound response and multi color control an optional RGB controller will be needed. For single color wiring with an external switch see diagram below.



Limited Warranty

What This Warranty Covers

This is a "Limited" warranty. This warranty covers any defects in materials and workmanship and warranty only applies to the original purchaser and is not transferable. This warranty is also only valid if the original purchase was made from an authorized Wet Sounds™ dealer.

How Long Coverage Last s

This warranty runs for 2 years from the date of the purchase. It is recommended to REGISTER your warranty online within 45 days of your purchase at www.wetsounds.com - click on "warranty registration".

What Is Not Covered

This warranty does not cover fading or discoloration caused by exposure to sunlight or chemicals such as ammonia, household bleach, or any cleaning material that contains abrasive substances. (For information on how to prevent fading or discoloration, consult for recommendations on cleaning products) Wet Sounds, Inc. does not cover the cost for removal and reinstallation of any kind. Additionally, shipping TO Wet Sounds, Inc. is covered by the purchaser. This warranty is void and inapplicable if Wet Sounds™ deems that the product was abused or misused; including but not limited to Speaker product that has been improperly-powered (under or over powered), causing thermal (burnt voice coil) and/or mechanical failure (torn surrounds or spiders), damage caused by accident, mishandling, improper installation, negligence, normal wear and tear, excessive water or heat damage, freight damage or products that have been altered in any way. Product owned by anyone other than the original purchaser from an authorized Wet Sounds dealer. (The warranty is not transferable and will not apply to products purchased from unauthorized dealers.) Wet Sounds is not responsible for any damages to a consumer's boat or person from a product failure. The warranty is void if Wet Sounds deems the product was installed or used improperly. Wet Sounds shall not be responsible for any incidental or consequential damages, except to the extent provided (or prohibited) by applicable law. This warranty gives you specific legal rights, and you may also have other rights which vary from state.

What Wet Sounds™, Inc. Will Do

Wet Sounds, Inc will repair any part of your product that proves to be defective in materials or workmanship. In the event repair is not possible, Wet Sounds, Inc will replace the product in question. If it is deemed necessary Wet Sounds, Inc. will either replace the entire product with a refurbished unit or it will be replaced with a model that is similar in price if that model is no longer available. Labor cost and materials needed to complete this service will be at no charge to the purchaser. Additionally, the cost of shipping TO the consumer is also covered under this warranty.

How to Obtain Warranty Service

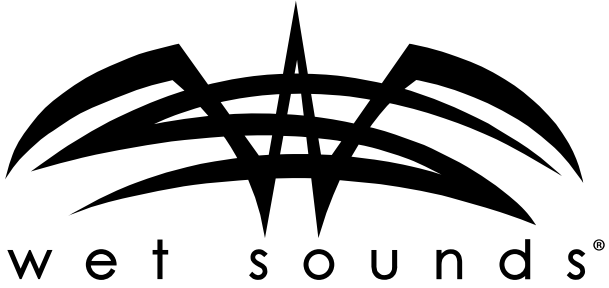
Contact Wet Sounds, Inc. either by phone at 877-938-7757 or by email at warranty@wetsounds.com. A service representative will assist you in the necessary actions to verify that the problem that you are experiencing is covered under warranty. If it is in fact a warranty issue, Wet Sounds will issue an RA number for tracking purposes and give instructions on sending the product in for evaluation. Wet Sounds™, Inc. How State Law Applies This warranty gives you specific legal rights, and you may also have other rights which vary from state to state.

Internet Warning

Wet Sounds, Inc. products sold on any non authorized web site or internet auction site are void of any and all manufacturer's warranty. Please contact Wet Sounds™ at 877-938-7757 or visit our web site at www.wetsounds.com to search for an authorized site and/or an authorized retailer near you.

Caution & Respect

Wet Sounds™ speakers can achieve very high sound pressure levels. Please use this product responsibly. Be aware that sound travels great distances across water so please respect other boaters especially while loading/unloading at the ramp or dock. Wet Sounds, Inc. is not responsible for any violations of the law that may be a direct result of excessive volume. Please abide by the rules but have fun doing it.



WET SOUNDS INC.
www.wetsounds.com
877-938-7757

2975 Louise Street
Rosenberg, Texas 77471 USA

© 2022 Wet Sounds, Inc. All Rights Reserved. WET SOUNDS and associated logos where applicable are registered trademarks of Wet Sounds Corporation in the United States and/or other countries. All other trademarks are the property of their respective owners.

REV 10/12 HD