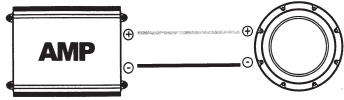


mtx audio

Wiring Configuration

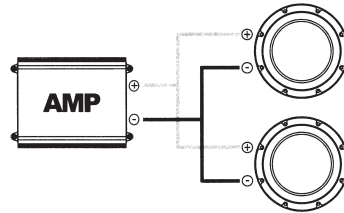
La Configuración del alambrado, La Configuración del alambrado, Verdrahtende Konfiguration



Wired Direct (Alambro Directo, Télégraphié Direct, Direkt hat verdrahtet):

A 4Ω speaker will represent a 4Ω load.

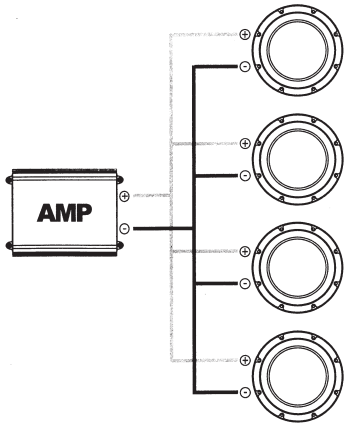
(Un orador 4Ω representará una carga 4Ω. Un 4Ω haut-parleur représentera un 4Ω chargé. Ein 4Ω Sprecher beladen eine 4Ω wird vertreten)



Two Speakers wired in parallel (Dos Oradores alambra en la paralela, Deux Haut-parleurs ont télégraphié dans l'analogie, Zwei Sprecher haben parallel verdrahtet):

A 4Ω speaker will represent a 2Ω load.

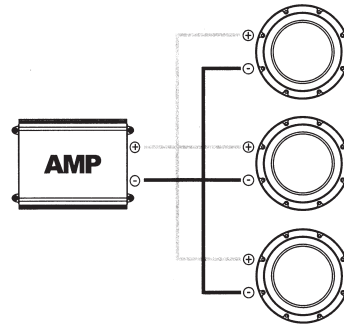
(Un orador 4Ω representará una carga 2Ω. Un 4Ω haut-parleur représentera un 2Ω chargé. Ein 4Ω Sprecher beladen eine 2Ω wird vertreten)



Four Speakers wired in parallel (Cuatro Oradores alambra en la paralela, Quatre Haut-parleurs ont télégraphié dans l'analogie, Vier Sprecher haben parallel verdrahtet):

A 4Ω speaker will represent a 1Ω load.

(Un orador 4Ω representará una carga 1Ω. Un 4Ω haut-parleur représentera un 1.3Ω chargé. Ein 4Ω Sprecher beladen eine 1.2Ω wird vertreten)



Three Speakers wired in parallel (Tres Oradores alambra en la paralela, Trois Haut-parleurs ont télégraphié dans l'analogie, Drei Sprecher haben parallel verdrahtet):

A 4Ω speaker will represent a 1.3Ω load.

(Un orador 4Ω representará una carga 1.3Ω. Un 4Ω haut-parleur représentera un 1.3Ω chargé. Ein 4Ω Sprecher beladen eine 1.3Ω wird vertreten)

MTX products purchased in the USA from an authorized MTX dealer are guaranteed against defects in material and workmanship for a period of 1 year, the warranty period begins the day the product is purchased by the end user. This warranty is limited to the original retail purchaser of product. Product found to be defective during that period will be repaired or replaced by MTX at no charge. This warranty is void if it is determined that unauthorized parties have attempted repairs or alterations of any nature. Warranty does not extend to cosmetics or finish. Before presuming a defect is present in the product, be certain that all related equipment and wiring is functioning properly. MTX disclaims any liability for other incurred damages resulting from product defects. Any expense in the removal or reinstallation or products are not covered by this warranty. MTX's total liability will not exceed the purchase price of the product. If a defect is present, your authorized MTX dealer may be able to effect repairs.

Proof of purchase is required when requesting service, so please retain your sales receipt, and take a moment to register your product on line at MTX.com. Also, a Return Authorization number (RA) is required before shipping product back to MTX, call 800-556-2888 or 608-328-5560 for speaker RA's.



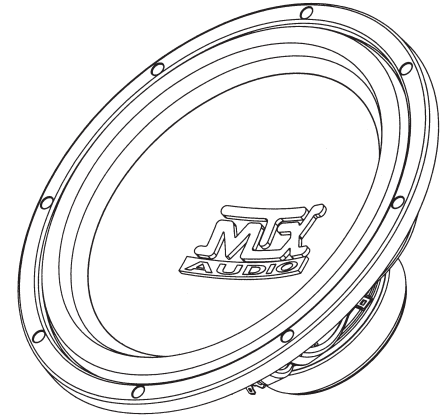
mtx audio

Parameters

Los parámetros, Paramètres, Parameter

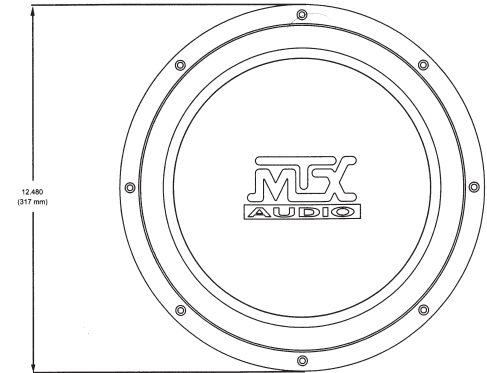
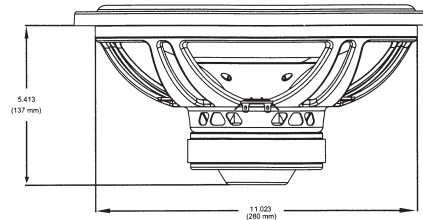
F_s: 33.2 Hz
Q_{ms}: 4.37
C_{ms}: 0.162 mm/N
M_{ms}: 142.08 g
R_{ms}: 7.93 kg/s
V_{as}: 2.329 ft³ (65.95 liters)
X_{max}: 0.370 in (9.40 mm)
D: 10.315 in (262 mm)
S_d: 83.57 in² (539.13 cm²)
V_d: 30.84 in³ (0.51 liters)
Q_{es}: 0.84
R_e: 1.74 Ω
B_f: 7.86 Tm
P_{rms}: 200 Watts
Q_{ts}: 0.700
η_o: 0.278 %
SPL_o: 86.40 dB
SPL 2.83V/1m: 93.00 dB

TN12-02



Specifications

Las especificaciones, Spécifications, Spezifikationen



Recommended Power Rating of 100 - 200 Watts RMS

La Potencia nominal recomendada, Le Pouvoir recommandé Evaluator, Empfohlene Kraft Einzuschätze

THUNDER™ • JACKHAMMER™ • AYE • SLEDGEHAMMER™ • THUNDERFORM™
AMPLIFIERS • SUBWOOFERS • SPEAKERS • ENCLOSURES • MARINE

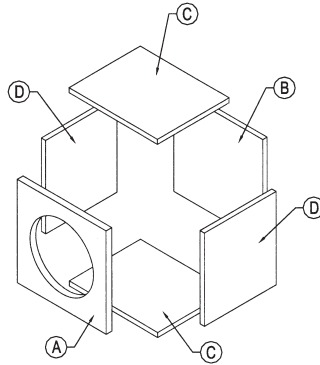
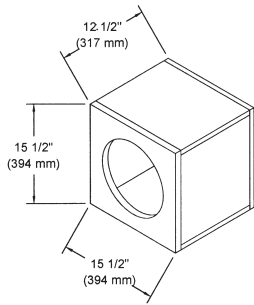


mtx audio

Sealed Enclosure

El Cerco sellado, Clôture scellée, Abgedichtete Einschließung

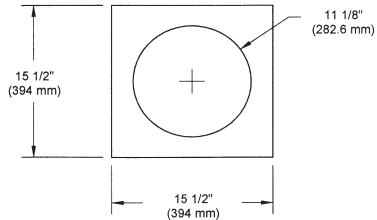
For the best possible sound quality where space is a premium, MTX recommends using a sealed enclosure. For excellent sound quality with increased output compared to sealed enclosures (3dB or more), MTX recommends using a vented enclosure. All recommended enclosures have been designed and thoroughly tested by MTX.



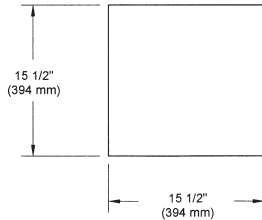
Net Internal Volume: 1.25 ft³

Parts List

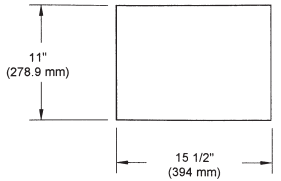
La Lista de partes, Liste de parties, Ersatzteilliste



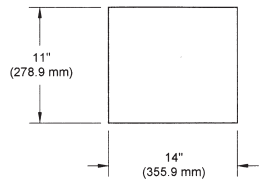
[A] - 3/4" (19mm) MDF



[B] - 3/4" (19mm) MDF



[C] - 3/4" (19mm) MDF



[D] - 3/4" (19mm) MDF

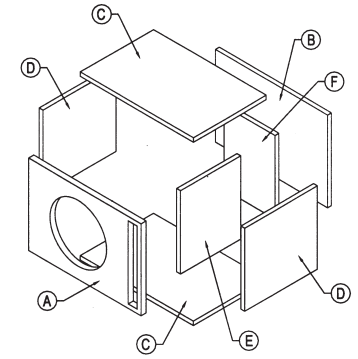
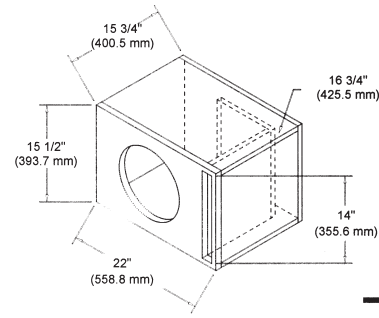
(Para la mejor calidad sano posible donde espacio es una prima, MTX recomienda utilizando un cerco sellado. Para la calidad sano excelente con la producción aumentada comparó con cercos sellados (3dB o más), MTX recomienda utilizando un descargar cerco. Todos cercos recomendados se han diseñado y han sido probados completamente por MTX.)
 (Pour la qualité solide le mieux possible où l'espace est une prime, MTX recommande utilisant une clôture scellée. Pour la qualité solide excellente avec la production augmentée en comparaison des clôtures scellées (3 dB ou plus), MTX recommande utilisant une clôture donnée vent. Toutes clôtures recommandées ont été conçues et ont été essayées à fond par MTX.)
 (Für die bestmögliche gesunde Qualität, wo spert eine Prämie ist, empfiehlt MTX daß das Benutzen von einer abgedichteten Einschließung. Für ausgezeichnete gesunde Qualität gibt mit vermehrt verglichen zu abgedichteten Einschließungen (3dB oder mehr), MTX daß das Benutzen von einer vented Einschließung empfiehlt aus. Alle empfohlenen Einschließungen sind entworfen worden und sind gründlich durch MTX geprüft worden.)

mtx audio

Vented Enclosure

Descargar Cerco, Clôture donnere vent, Vented Einschließung

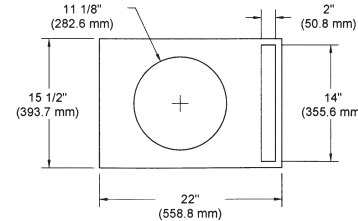
For the best possible sound quality where space is a premium, MTX recommends using a sealed enclosure. For excellent sound quality with increased output compared to sealed enclosures (3dB or more), MTX recommends using a vented enclosure. All recommended enclosures have been designed and thoroughly tested by MTX.



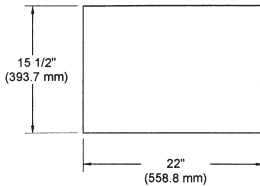
Net Internal Volume: 2.00 ft³

Parts List

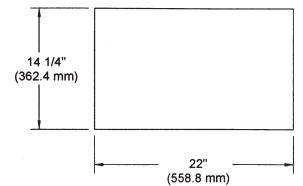
La Lista de partes, Liste de parties, Ersatzteilliste



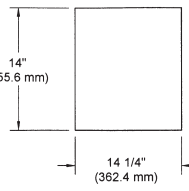
[A] - 3/4" (19mm) MDF



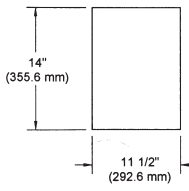
[B] - 3/4" (19mm) MDF



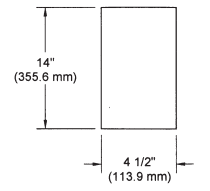
[C] - 3/4" (19mm) MDF



[D] - 3/4" (19mm) MDF



[E] - 3/4" (19mm) MDF



[F] - 3/4" (19mm) MDF

(Para la mejor calidad sano posible donde espacio es una prima, MTX recomienda utilizando un cerco sellado. Para la calidad sano excelente con la producción aumentada comparó con cercos sellados (3dB o más), MTX recomienda utilizando un descargar cerco. Todos cercos recomendados se han diseñado y han sido probados completamente por MTX.)
 (Pour la qualité solide le mieux possible où l'espace est une prime, MTX recommande utilisant une clôture scellée. Pour la qualité solide excellente avec la production augmentée en comparaison des clôtures scellées (3 dB ou plus), MTX recommande utilisant une clôture donnée vent. Toutes clôtures recommandées ont été conçues et ont été essayées à fond par MTX.)
 (Für die bestmögliche gesunde Qualität, wo spert eine Prämie ist, empfiehlt MTX daß das Benutzen von einer abgedichteten Einschließung. Für ausgezeichnete gesunde Qualität gibt mit vermehrt verglichen zu abgedichteten Einschließungen (3dB oder mehr), MTX daß das Benutzen von einer vented Einschließung empfiehlt aus. Alle empfohlenen Einschließungen sind entworfen worden und sind gründlich durch MTX geprüft worden.)

Mitek Mobile Limited Warranty

Our Guarantee

Mitek Mobile products (including MTX, Streetwires, Coustic and Magnum) purchased in the USA after 1/1/2013 from an authorized Mitek retailer are guaranteed to be free from material defects in products and workmanship for five (5) years to the original end user purchaser, subject to the terms and conditions below.

Length of Limited Warranty and Remedy

The warranty period begins the day the product is purchased by the end user, and is limited to the original retail purchaser of the product.

Free Replacement Period (2 Years)

Products found to be defective in materials or workmanship during the first 2 years will be, at Mitek's option, repaired or replaced by Mitek at no charge. When a product is replaced during first 2 years, the warranty does not renew, it continues on from the original date of purchase.

Proration Period (Years 3-5)

The prorated purchase price of any product which becomes defective after the first two years and prior to the end of the warranty period may be credited toward the purchase of a new Mitek product. The amount of the proration shall be determined by dividing the purchase price by the number of months of the warranty period (60), and then multiplying the result by the number of months remaining in the warranty period. Any partial months will be rounded to the nearest whole month. For example, a product purchased 37 months ago for \$100 would be calculated by dividing \$100 by 60 months = \$1.66/month, multiplied by 23 (the months remaining in the warranty period) for a prorated warranty amount of \$38.33.

You are responsible for all costs for removal, reinstallation and proper packaging, shipping, insurance or other freight charges incurred in the shipment of the product or part to Mitek. Mitek will ship the repaired or replaced Mitek product or replacement parts to you at no charge. Mitek reserves the right to utilize reconditioned, refurbished, repaired or remanufactured products or parts in the warranty repair or replacement process. Such products and parts will be comparable in function and performance to an original product or part and warranted for the remainder of the original warranty period.

What Is Not Covered

This warranty does not cover the product if it has been subject to neglect, abuse, misuse, incorrect connection, or if it has been subject to unauthorized repair or alterations of any nature, or if the serial number has been altered or removed, and the warranty does not extend to cosmetics or finish. This warranty only applies to products installed and used in the USA.

What You Must Do to Obtain Warranty Service

You must contact Mitek Warranty via our website at MTX.com, or via email at mitekarranty@mitekusa.com, or by calling 800-556-2888. If you did not purchase the product directly from Mitek, a proof of purchase must be provided in order to receive warranty consideration. You will be issued a Return Authorization (RA) number which must be written on the outside of the package before returning the product to Mitek.

No Other Warranties

THE LIMITED WARRANTIES DESCRIBED ABOVE ARE EXCLUSIVE AND IN LIEU OF ANY OTHER WARRANTIES, EXPRESS OR IMPLIED. MITEK DISCLAIMS AND EXCLUDES ALL OTHER EXPRESS WARRANTIES, AND DISCLAIMS AND EXCLUDES ALL WARRANTIES IMPLIED BY LAW, INCLUDING WITHOUT LIMITATION THOSE OF MERCHANTABILITY AND FITNESS FOR A PARTICULAR PURPOSE. TO THE EXTENT THAT APPLICABLE LAW PROHIBITS THE EXCLUSION OF IMPLIED WARRANTIES, THE DURATION OF ANY APPLICABLE IMPLIED WARRANTY IS LIMITED TO THE PERIOD SPECIFIED FOR THE EXPRESS WARRANTY. Some states do not allow limitations on how long an implied warranty lasts, so the above limitation may not apply to you. Any oral or written description of any Mitek product is for the sole purpose of identifying it and shall not be construed as an express warranty.

Limitation of Liability

MITEK'S OBLIGATION TO PROVIDE A CREDIT, OR REPAIR OR REPLACE AT MITEK'S OPTION, SHALL BE YOUR SOLE AND EXCLUSIVE REMEDY UNDER THIS LIMITED WARRANTY AND MITEK'S SOLE AND EXCLUSIVE OBLIGATION. MITEK SHALL NOT BE LIABLE FOR INCIDENTAL, INDIRECT, CONSEQUENTIAL OR SPECIAL DAMAGES ARISING OUT OF OR IN CONNECTION WITH THE MITEK PRODUCT, ITS USE OR PERFORMANCE. Incidental damages include, but are not limited to, such damages as loss of time and loss of use. Consequential damages include, but are not limited to, the cost of repairing or replacing other property which was damaged if the Mitek product does not work properly.

Some states do not allow the exclusion or limitation of incidental or consequential damages, so the above limitation or exclusion may not apply to you. This warranty gives you specific legal rights, and you may also have other rights, which vary from state to state. This limited warranty supersedes all prior warranties and is not transferable from the original consumer purchaser.

Any assistance Mitek provides to or procures for you outside the terms, limitations or exclusions of this limited warranty will not constitute a waiver of such terms, limitations or exclusions, nor will such assistance extend or revive the warranty. Mitek will not reimburse you for any expenses incurred by you in repairing or replacing any defective product, except for those incurred with Mitek's prior written permission.